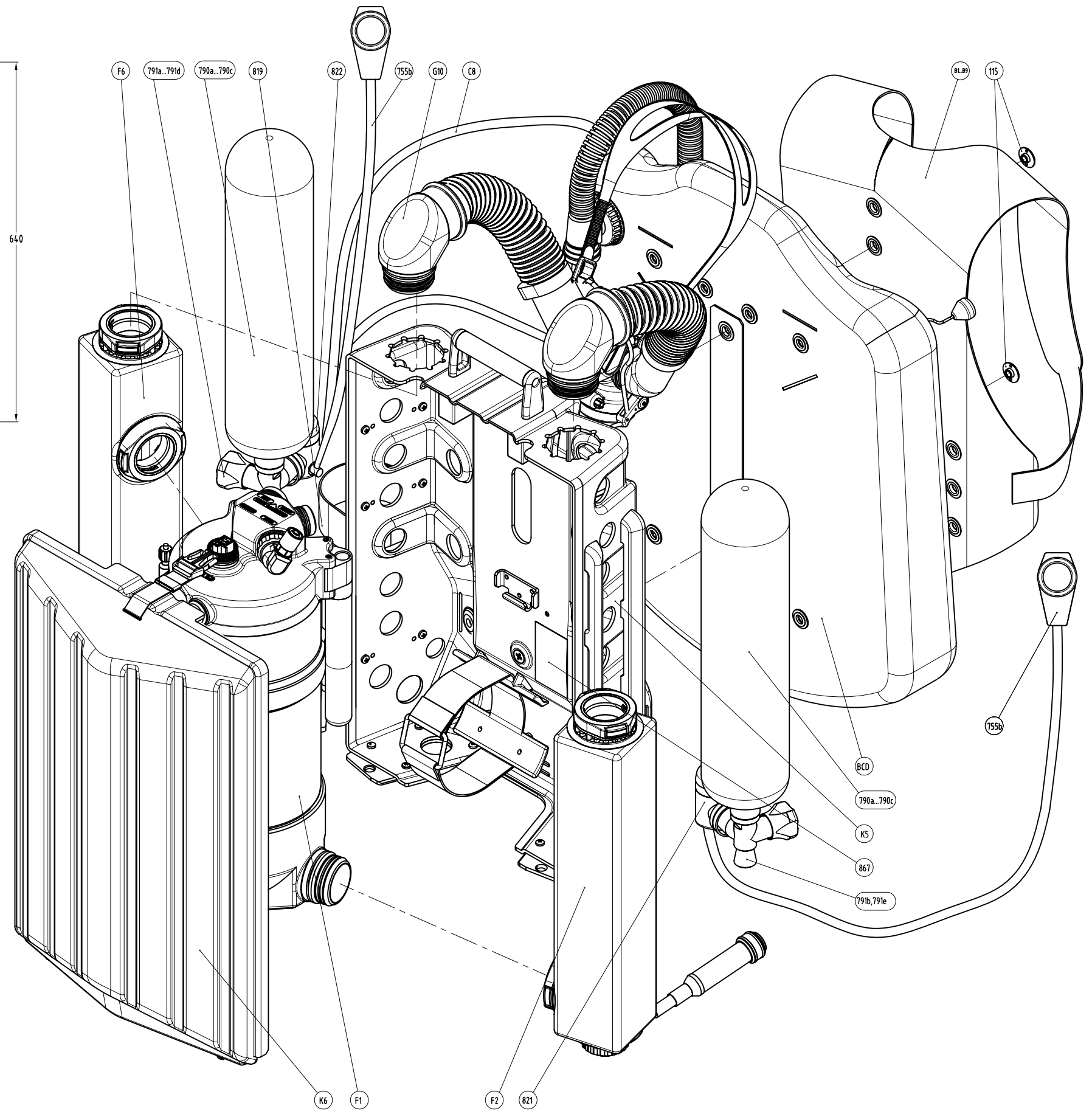
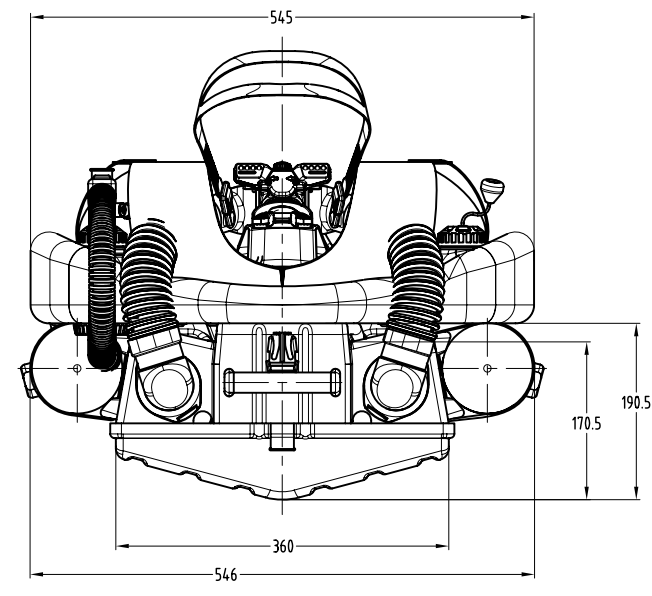
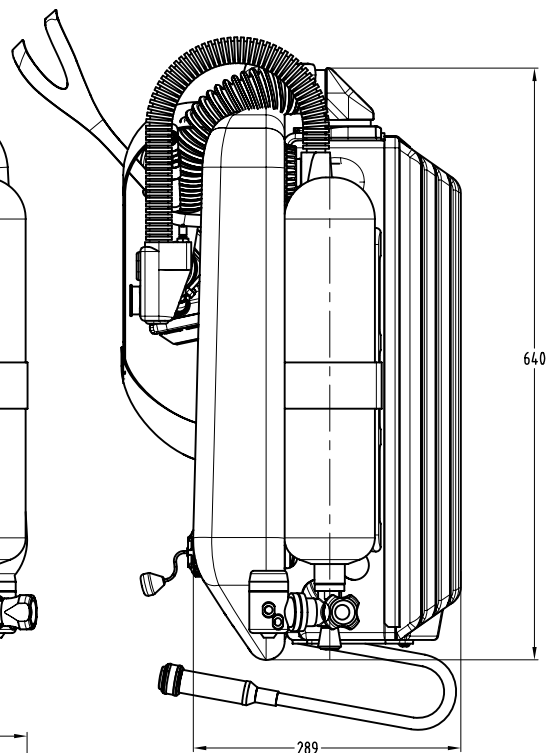
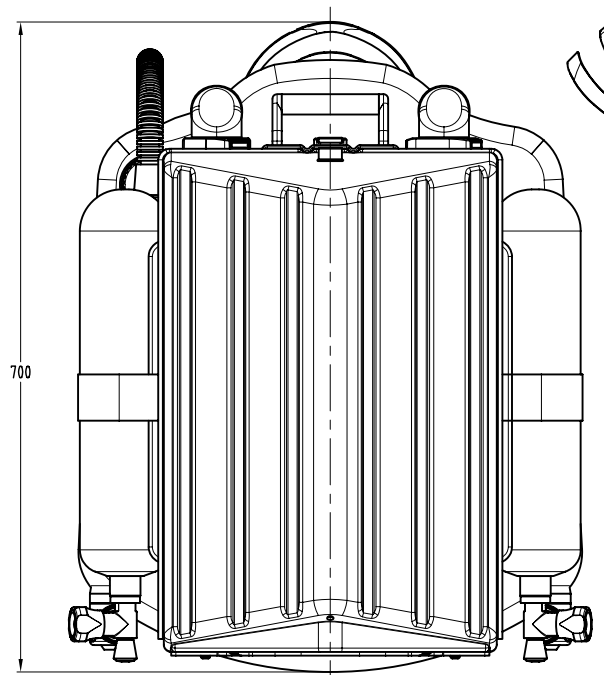


1 2 3 4 5 6 7 8 9 10 11 12

A
B
C
D
E
F
G
H
I

A
B
C
D
E
F
G
H
I



Pos. No	Title	Part No	Quantity
B1..B9	Harness (options)		1
C8	Assy of BCD Hose	ORM6500	1
D1	Assy of Manual Injector	ORM6600	1
F1	Assy of Hull Scrubber	ORS1000	1
F2	Assy of SRB Inhale Counterlung	ORS1100	1
F6	Assy of SRB Exhale Counterlung	ORS1200	1
G10	Assy of ALVBOV C	ORS1200	1
K5	Assy of eCCR Case Frame	ORS7000	1
K6	Assy of Case Cover	ORS7200	1
115	NUT (for reference only)	ORS7085	4
755b	Mini-Index Pressure Gauge, 80cm	664/665	2
790a..790c	300 bar 2L Cylinder (options)		2
791a..791d	Tank Valve for air service (options)		1
791b..791e	Tank Valve for O2 service (options)		1
819	SS Cam Band, 540mm	36 HI 01 06	2
821	Oxygen First Stage Regulator, thread M26	Apeks DS4	1
822	Make-up Gas First Stage Regulator, thread G5/8"	Apeks DS4	1
867	Product CE Certification and Model Label	ORT0007	1
	BCD (optional)		1

Units of measurement	mm UNLESS OTHERWISE STATED	Mass	4,17 kg	Format	ISO A1	Designed by	S.Belousov	Changed by		Approved by - date	A.BOGATCHEV	Filename	ORS0050A1.dwg	Date	16.11.2009	Scale	1:4
Material		Quantity	SEE BOM	Projection		DEEP LIFE LTD Strictly Commercial-in-Confidence, copyright (c) 2009. Copying prohibited except as provided for under written contract with Process Insight Ltd.			Title/Name OR Incursion eCCR (external tanks)		Drawing number ORS0050	Edition A1	Sheet(s) 1(1)				

1 2 3 4 5 6 7 8 9 10 11 12