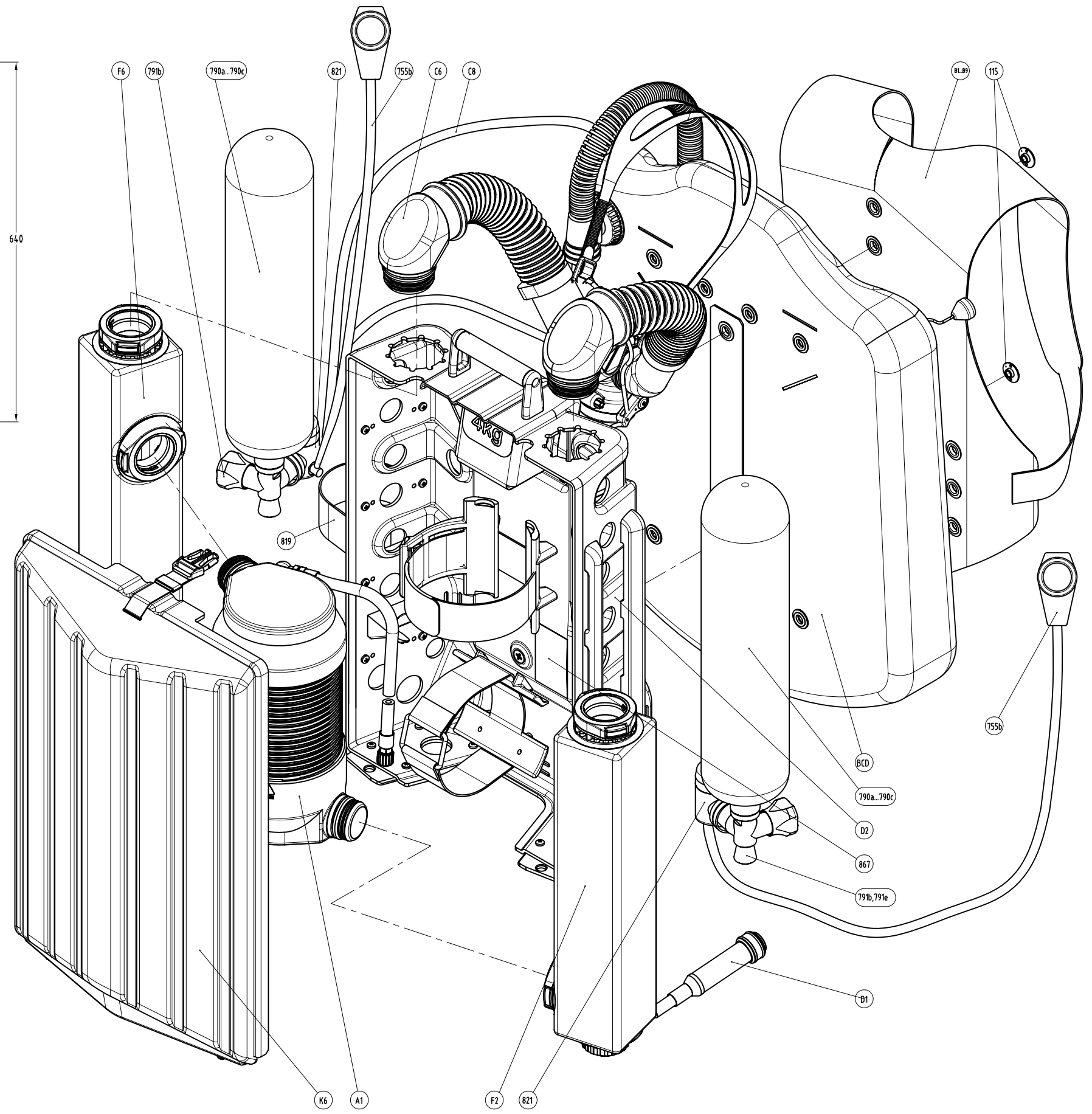
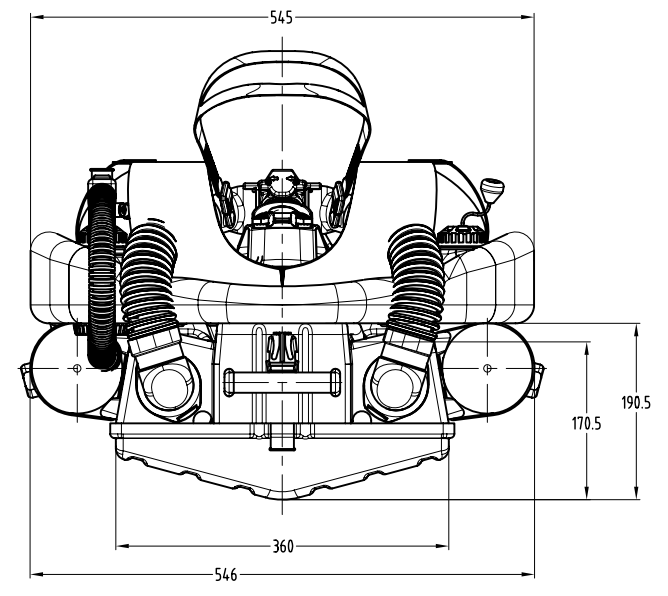
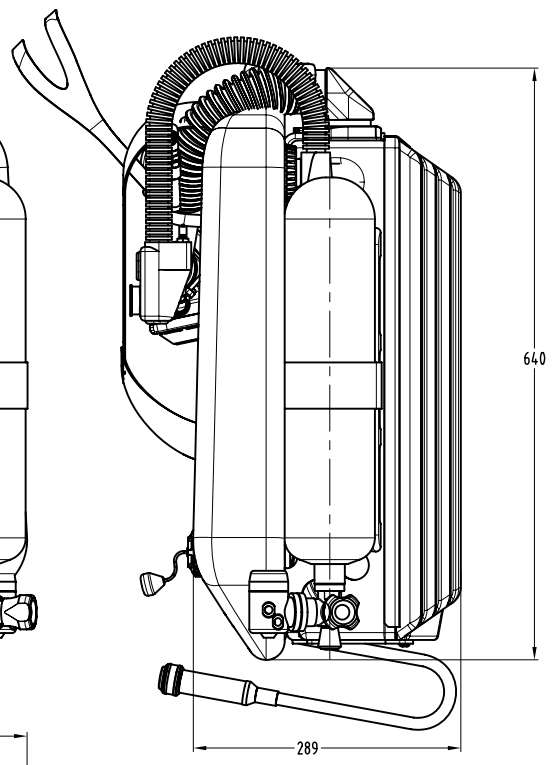
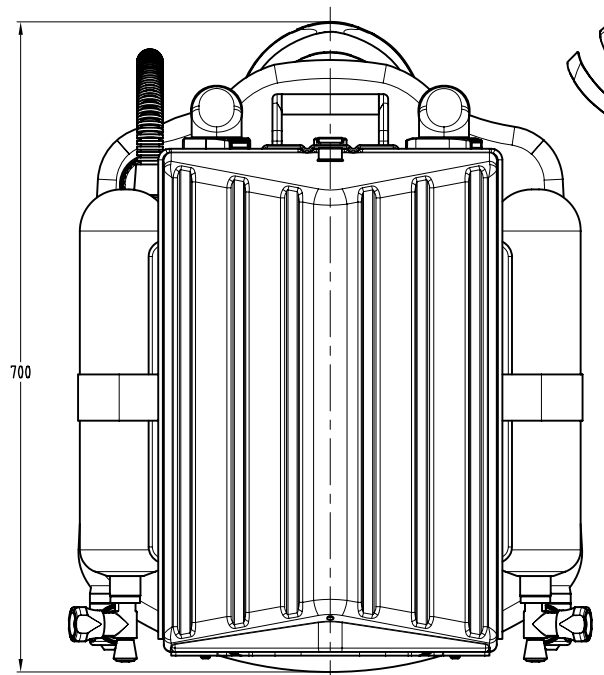


1 2 3 4 5 6 7 8 9 10 11 12

A
B
C
D
E
F
G
H
I

A
B
C
D
E
F
G
H
I



Pos. No	Title	Part No	Quantity
A1	Assy of CCR Canister	ORM1000	1
B1..B9	Optional Harness		1
C6	Assy of O2 ALVBOV	ORM6000	1
C8	Assy of BCD Hose	ORM6500	1
D1	Assy of Manual Injector	ORM6600	1
D2	Assy of CCR Case Frame	ORM7000	1
F2	Assy of SRB Inhale Counterlung	ORS1100	1
F6	Assy of SRB Exhale Counterlung	ORS1200	1
K6	Assy of Case Cover	ORS7200	1
115	NUT (for reference only)	ORS7085	4
755b	Mini-Index Pressure Gauge, 80cm	664/665	2
790a..790c	300 bar 2L Cylinder (options)		2
791b,791e	Tank Valve for O2 service (options)		2
819	SS Cam Band, 540mm	36 HI 01 06	2
821	Oxygen First Stage Regulator, thread M26	Apeks DS4	2
867	Product CE Certification and Model Label	ORT0007	1
	BCD (optional)		

Units of measurement	mm UNLESS OTHERWISE STATED	Mass	4,17 kg	Format	ISO A1	Designed by	S.Belousov	Changed by		Approved by - date	A.BOGATCHEV	Filename	ORM0050A1.dwg	Date	16.11.2009	Scale	1:4
Material		Quantity	SEE BOM	Projection		DEEP LIFE LTD Strictly Commercial-in-Confidence, copyright (c) 2009. Copying prohibited except as provided for under written contract with Process Insight Ltd.			Title/Name OR Apocalypse Type IV O2-CCR (external tanks) Drawing number ORM0050								
Tolerances		Surface roughness		Surface treatment		Edition A1			Sheet(s) 1(1)								

1 2 3 4 5 6 7 8 9 10 11 12