

1

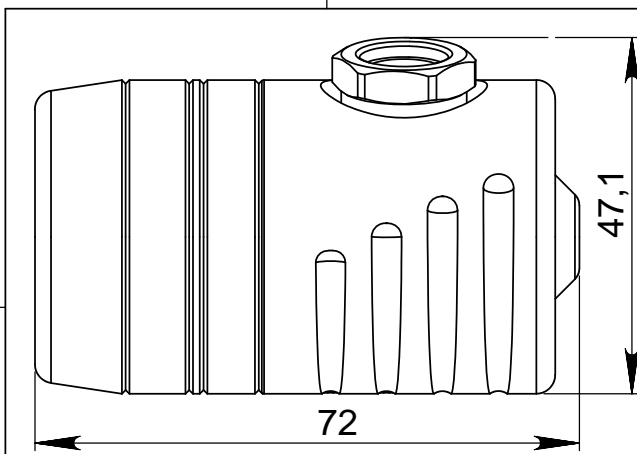
2

3

4

F

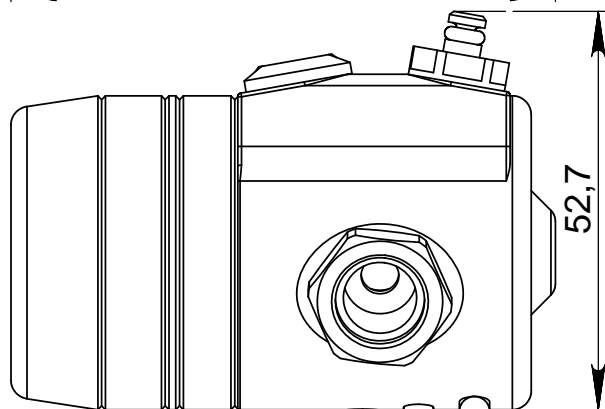
F



Item N	Title	Part N	Qty
206	Adapter	ORT6463	1
220	LP Port	ORT6485	1
532b		O-Ring BS004	1
538		O-Ring BS011	2
601		3/8" LP Plug	2
787		Sintered Bronze Silencer M3	1
794b		Apeks TEK3 First Stage Regulator Right	1

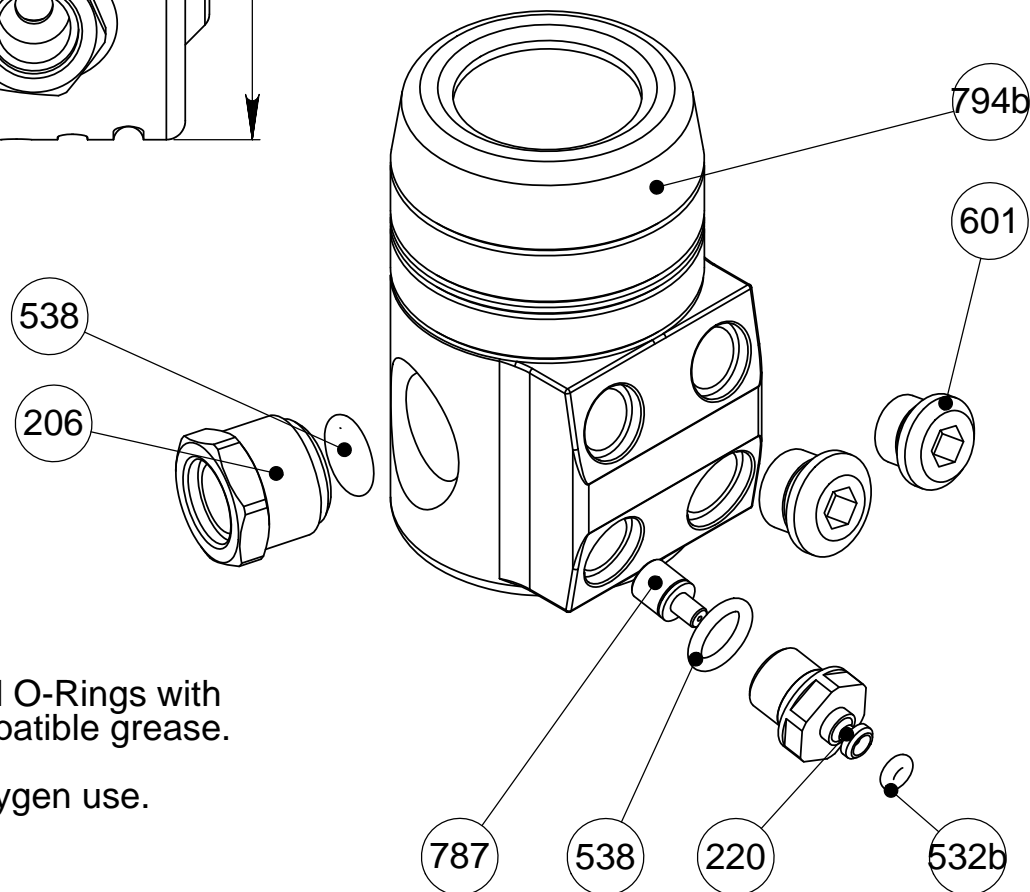
E

E



D

D



C

C

NOTES

1. Lubricate all O-Rings with oxygen compatible grease.
2. Clean for oxygen use.

B

B

Units of measurement	mm, UNLESS OTHERWISE STATED	Mass
Material		
Quantity	See BOM	
Tolerances	UNLESS OTHERWISE STATED TOLERANCES: H12, h12, ±IT12/2; ANGLE - ±30°	
Surface roughness	12,5µm MAX ON ALL MACHINED SURFACES UNLESS OTHERWISE STATED	
Surface treatment		

A

A

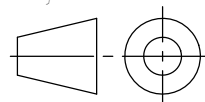
Format
ISO A4Designed by
A.Kudriashov

Change by

Approved by - date

Filename
ORT6470RB1Date
07.12.09Scale
1:1

Projection

**DEEP LIFE LTD**

Strictly commercial-in-Confidence
copyright (c) 2009. Copying prohibited
except as provided for under written
contract with Deep Life Ltd.



Title/name

ASSY OF RIGHT REGULATOR

Drawing number

ORT6470REdition
B1Sheet(s)
1(1)

1

4