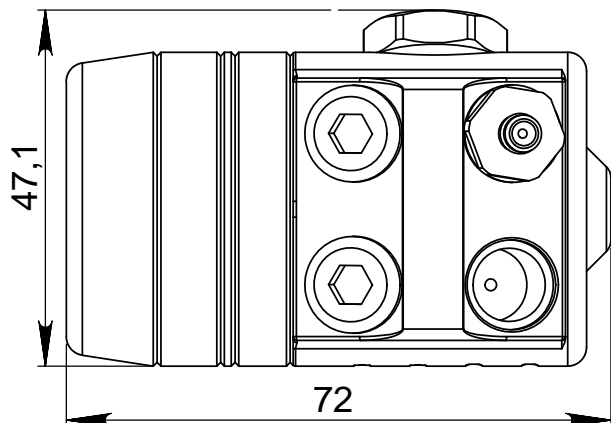


1

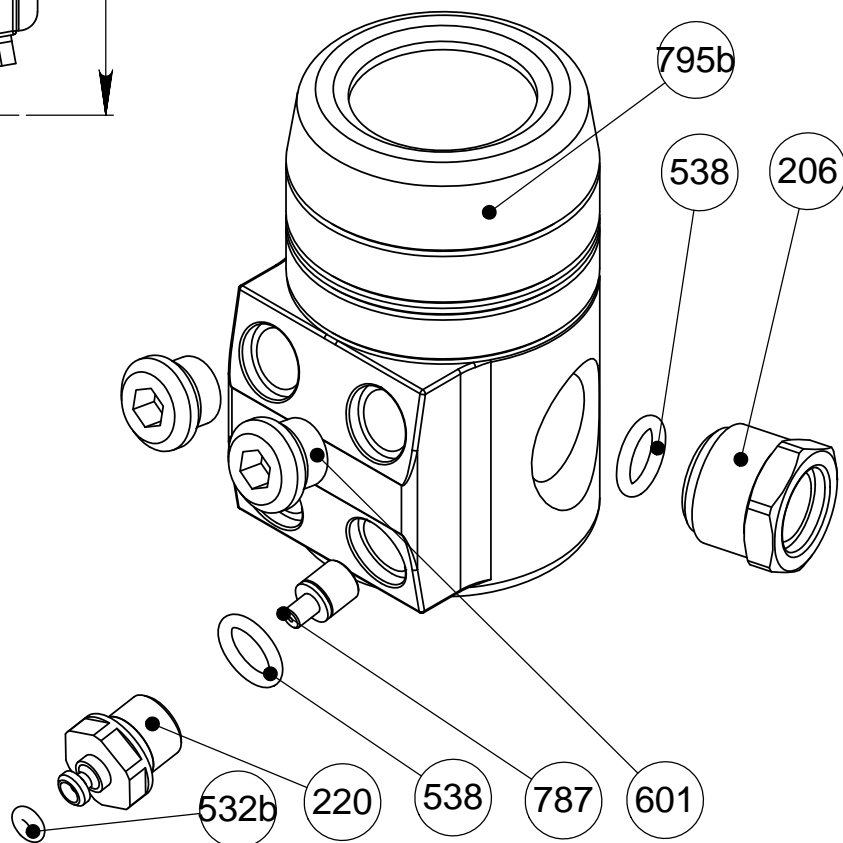
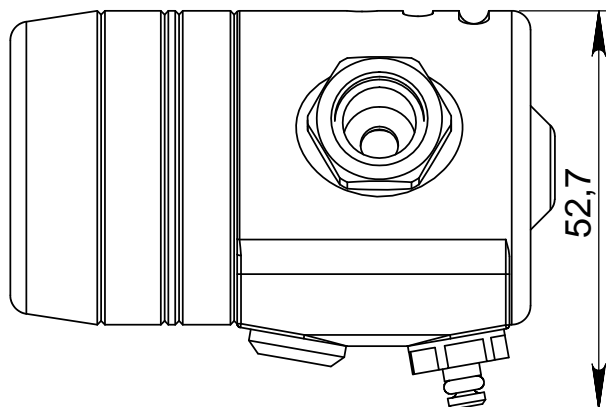
2

3

4



Item N	Title	Part N	Qty
206	Adapter	ORT6463	1
220	LP Port	ORT6485	1
532b		O-Ring BS004	1
538		O-Ring BS011	2
601		LP Plug 3/8"	2
787		Sintered Bronze Silencer M3	1
795b		Apeks TEK3 First Stage	1



NOTES

1. Lubricate all O-Rings with oxygen compatible grease.
2. Clean for oxygen use.

Units of measurement mm, UNLESS OTHERWISE STATED Mass

Material

Quantity See BOM

Tolerances UNLESS OTHERWISE STATED TOLERANCES: H12, h12, ±IT12/2; ANGLE - ±30°

Surface roughness 12,5µm MAX ON ALL MACHINED SURFACES UNLESS OTHERWISE STATED

Surface treatment

Format ISO A4	Designed by A.Kudruiashov	Change by	Approved by - date	Filename ORT6470LB1	Date 07.12.09	Scale 1:1
------------------	-------------------------------------	-----------	--------------------	------------------------	------------------	--------------

Projection 	DEEP LIFE LTD Strictly commercial-in-Confidence copyright (c) 2009. Copying prohibited except as provided for under written contract with Deep Life Ltd.		Title/name ASSY OF LEFT REGULATOR	
			Drawing number ORT6470L	Edition B1 Sheet(s) 1(1)

1

4