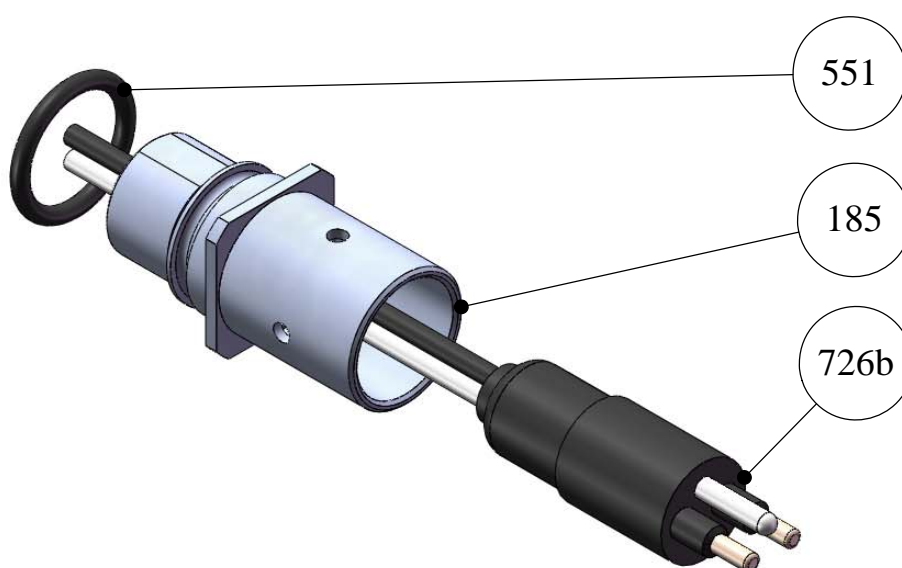
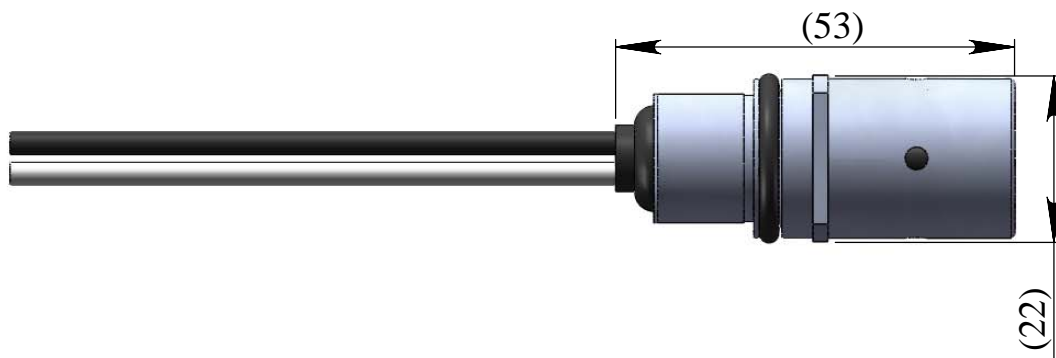


1

2

3

4



NOTES

1. Glue the Connector into the Housing with Epoxy Adhesive. Care to position it as shown on the Front View.

2. Fill the Housing with the Scotchcast from the wires' end.

3. Lubricate the O-Ring.

Item N	Ttitle	Part N	Qty
185	Housing 2	ORT6255	1
551	O-Ring BS114		1
726b	Mini Connector	MCIL2M	1

2. Fill the Housing with the Scotchcast from the wires' end.

3. Lubricate the O-Ring.

Units of measurement	mm, UNLESS OTHERWISE STATED		Mass
Material			
Quantity	See BOM		
Tolerances	UNLESS OTHERWISE STATED TOLERANCES: H12, h12, ±IT12/2; ANGLE - ±30°		
Surface roughness	12,5µm MAX ON ALL MACHINED SURFACES UNLESS OTHERWISE STATED		
Surface treatment			

Format ISO A4	Designed by A.Kudriashov	Change by	Approved by - date	Filename ORT6210A	Date 09.12.2009	Scale 1:1
Projection 	DEEP LIFE LTD Strictly commercial-in-Confidence copyright (c) 2009. Copying prohibited except as provided for under written contract with Deep Life Ltd.			Title/name ASSY OF LIGHT CONNECTOR		
Drawing number ORT6210				Edition A	Sheet(s) 1(1)	

1

4