

1

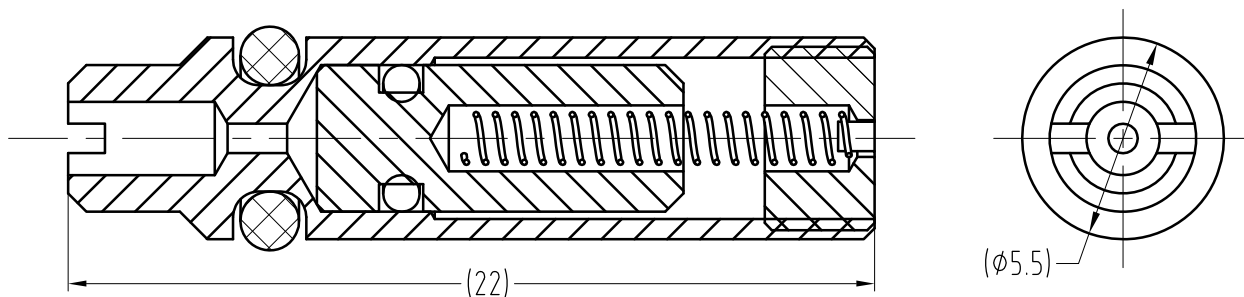
2

3

4

F

F

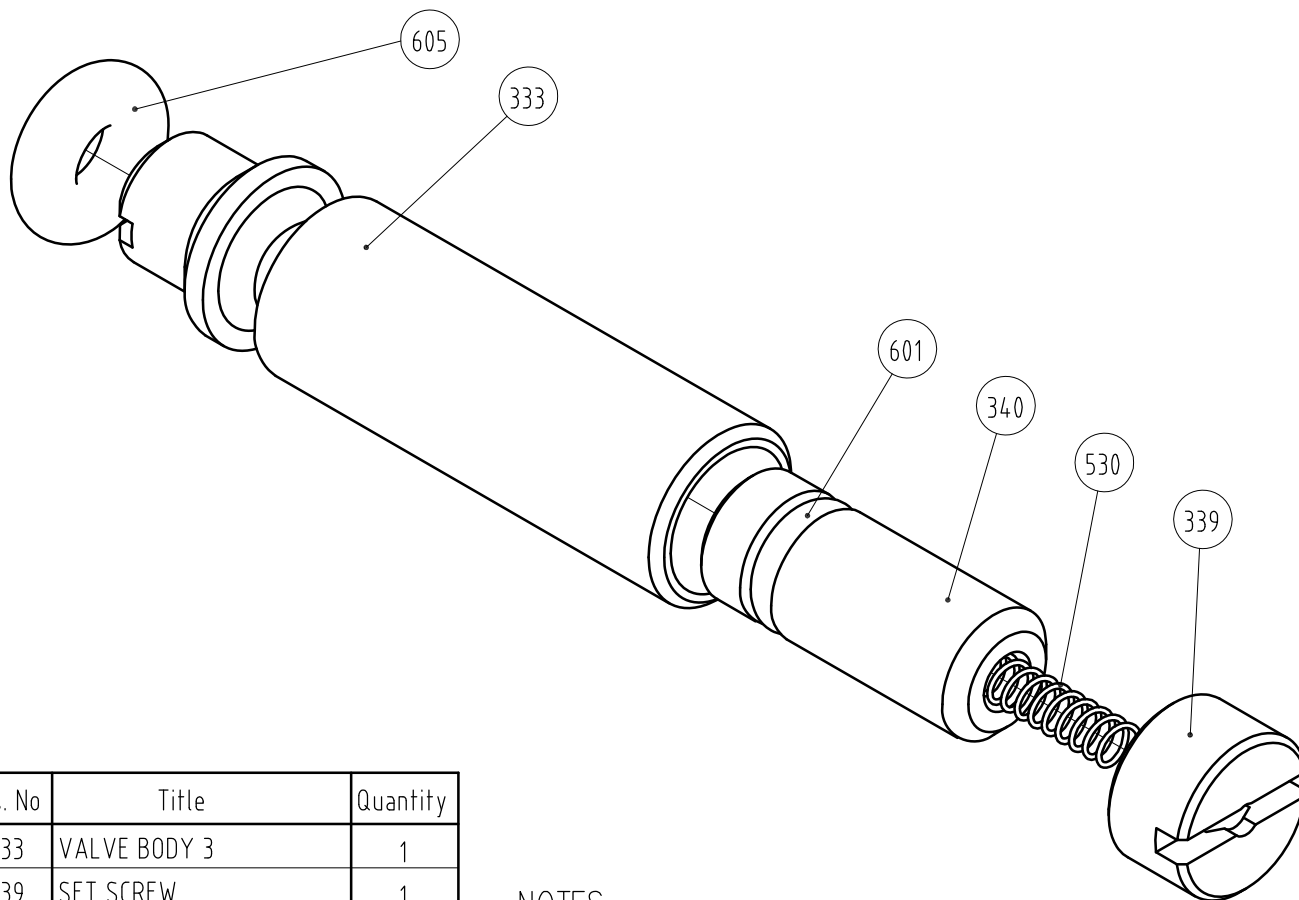


E

E

D

D



C

C

Pos. No	Title	Quantity
333	VALVE BODY 3	1
339	SET SCREW	1
340	PLUNGER	1
530	COMPRESSION SPRING	1
601	O-RING 2x1	1
605	O-RING BS007	1

## NOTES

n1. Lubricate all O-Rings with O2 compatible grease before assembling.

B

B

Units of measurement			Mass	0.004kg
Material				
Quantity	SEE BOM			
Tolerances				
Surface roughness				
Surface treatment				

A

A

Format ISO A4	Designed by A.KUDRIASHOV	Changed by -	Approved by - date -	Filename ORT6135-A1.dwg	Date 16.05.07	Scale 5:1
Projection 	<b>DEEP LIFE LTD</b> Strictly Commercial-in-Confidence, copyright (c) 2008. Copying prohibited except as provided for under written contract with Deep Life Ltd.			<b>ASSY OF CHECK VALVE 3</b>		
				Drawing number ORT6135	Edition A1	Sheet(s) 1(1)

1

4