

1

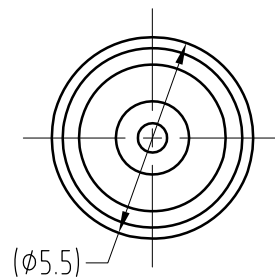
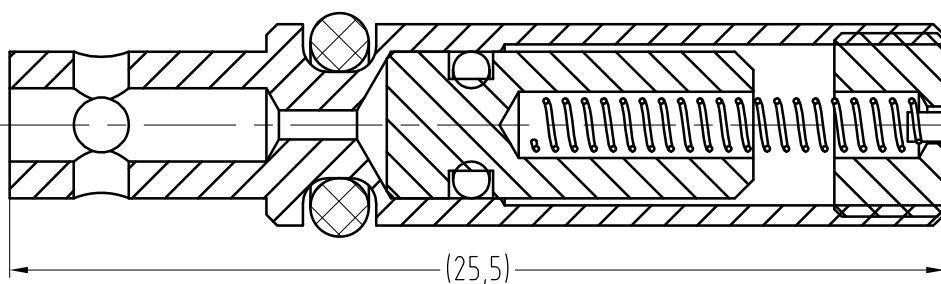
2

3

4

F

F

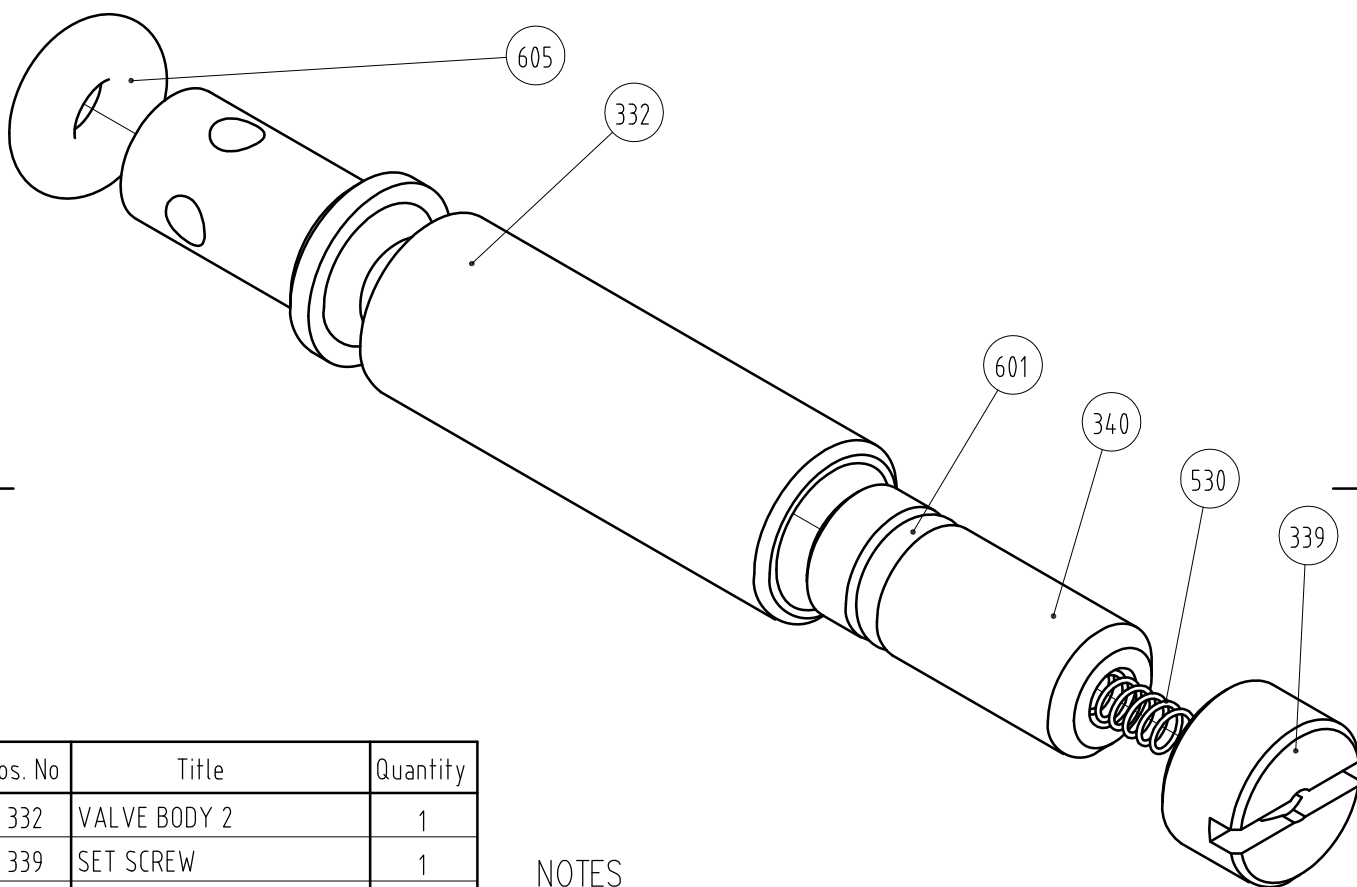


E

E

D

D



C

C

| Pos. No | Title | Quantity |
|---------|--------------------|----------|
| 332 | VALVE BODY 2 | 1 |
| 339 | SET SCREW | 1 |
| 340 | PLUNGER | 1 |
| 530 | COMPRESSION SPRING | 1 |
| 601 | O-RING 2x1 | 1 |
| 605 | O-RING BS007 | 1 |

NOTES

n1. Lubricate all O-Rings with O2 compatible grease before assembling.

B

B

| | | | | |
|----------------------|---------|--|------|---------|
| Units of measurement | | | Mass | 0.004kg |
| Material | | | | |
| Quantity | SEE BOM | | | |
| Tolerances | | | | |
| Surface roughness | | | | |
| Surface treatment | | | | |

A

A

| | | | | | | | | |
|------------------|--|-----------------|-------------------------|--|------------------|----------------------------------|----------------------|-------------------------|
| Format ISO A4 | Designed by A.KUDRIASHOV | Changed by - | Approved by - date - | Filename ORT6130-A1.dwg | Date 16.05.07 | Scale 5:1 | | |
| Projection | DEEP LIFE LTD Strictly Commercial-in-Confidence, copyright (c) 2008. Copying prohibited except as provided for under written contract with Deep Life Ltd. | | | Title/Name ASSY OF CHECK VALVE 2 | | Drawing number ORT6130 | Edition A1 | Sheet(s) 1(1) |

1

4