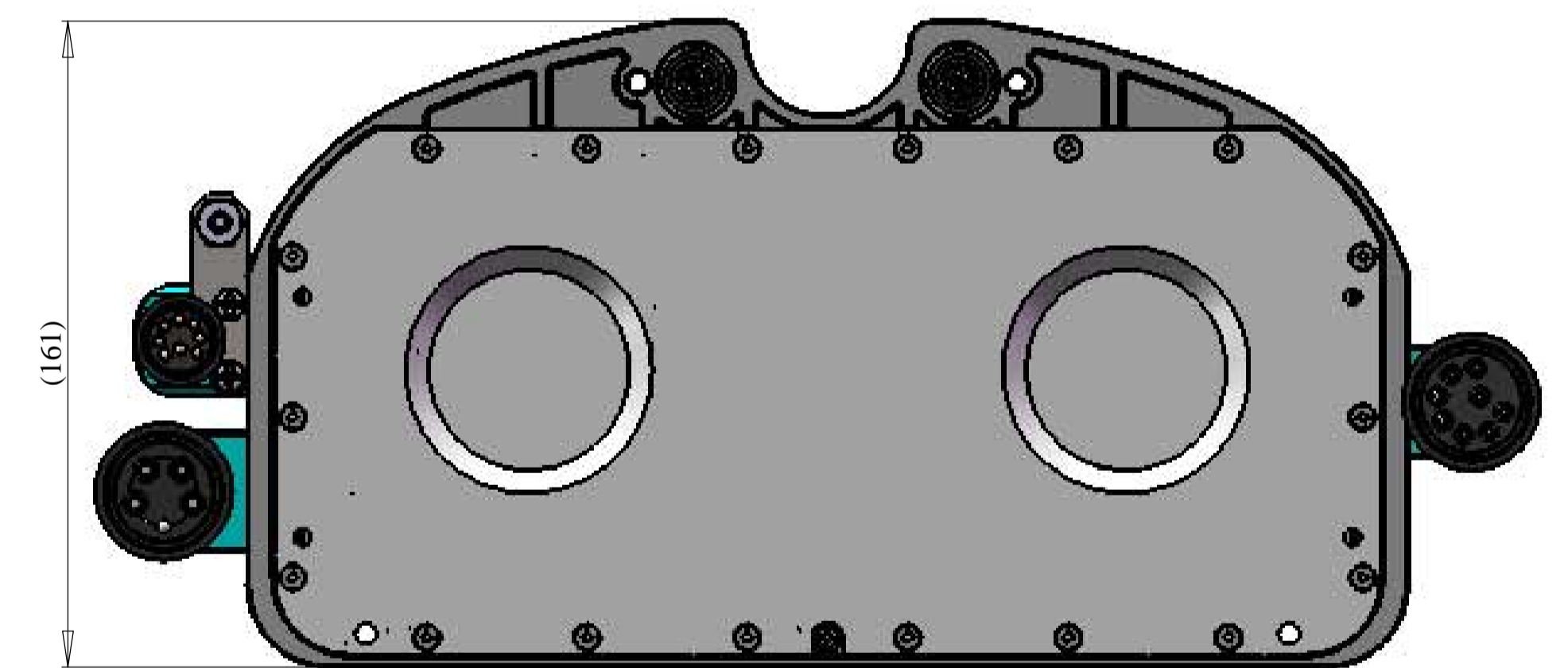
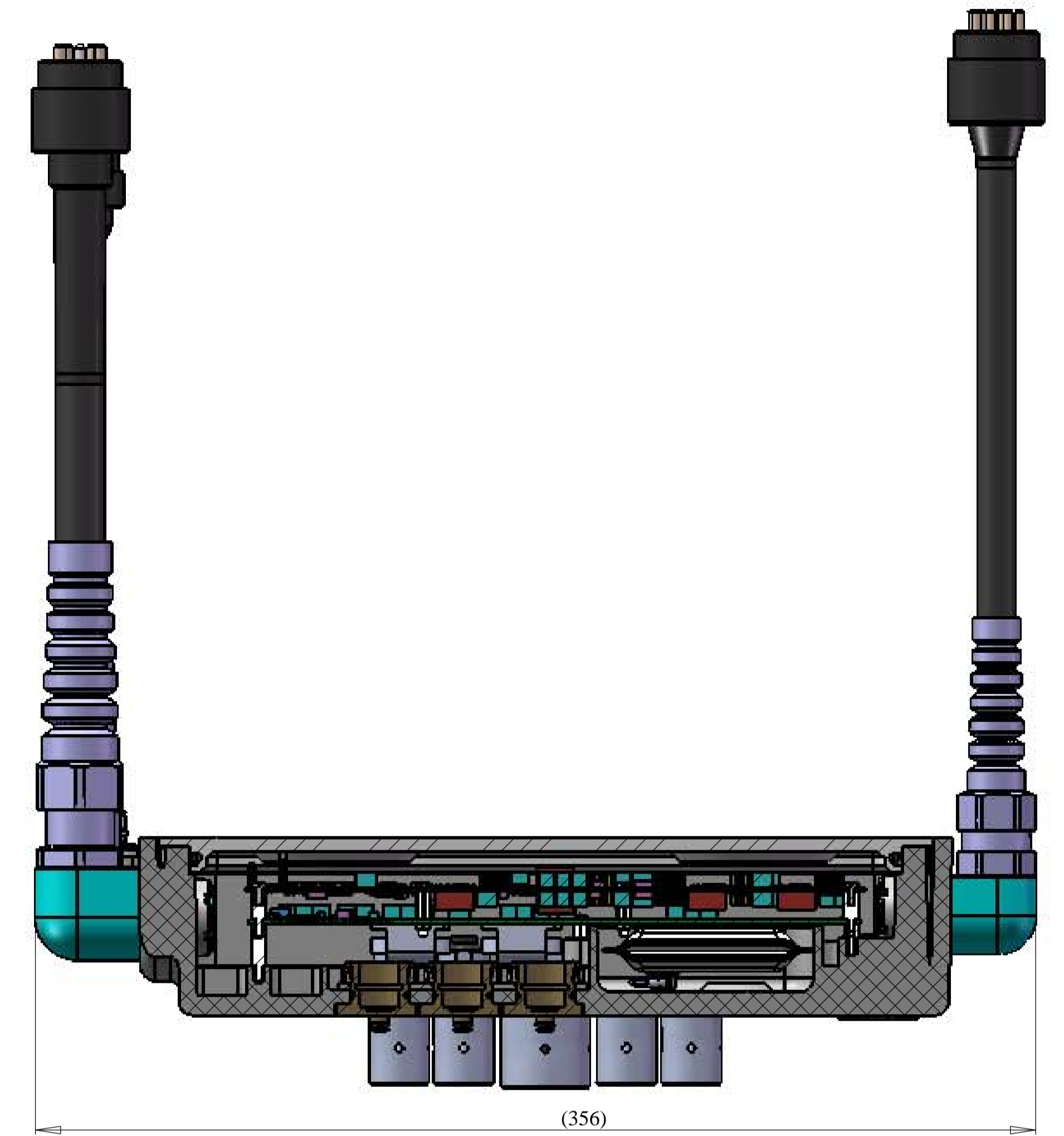
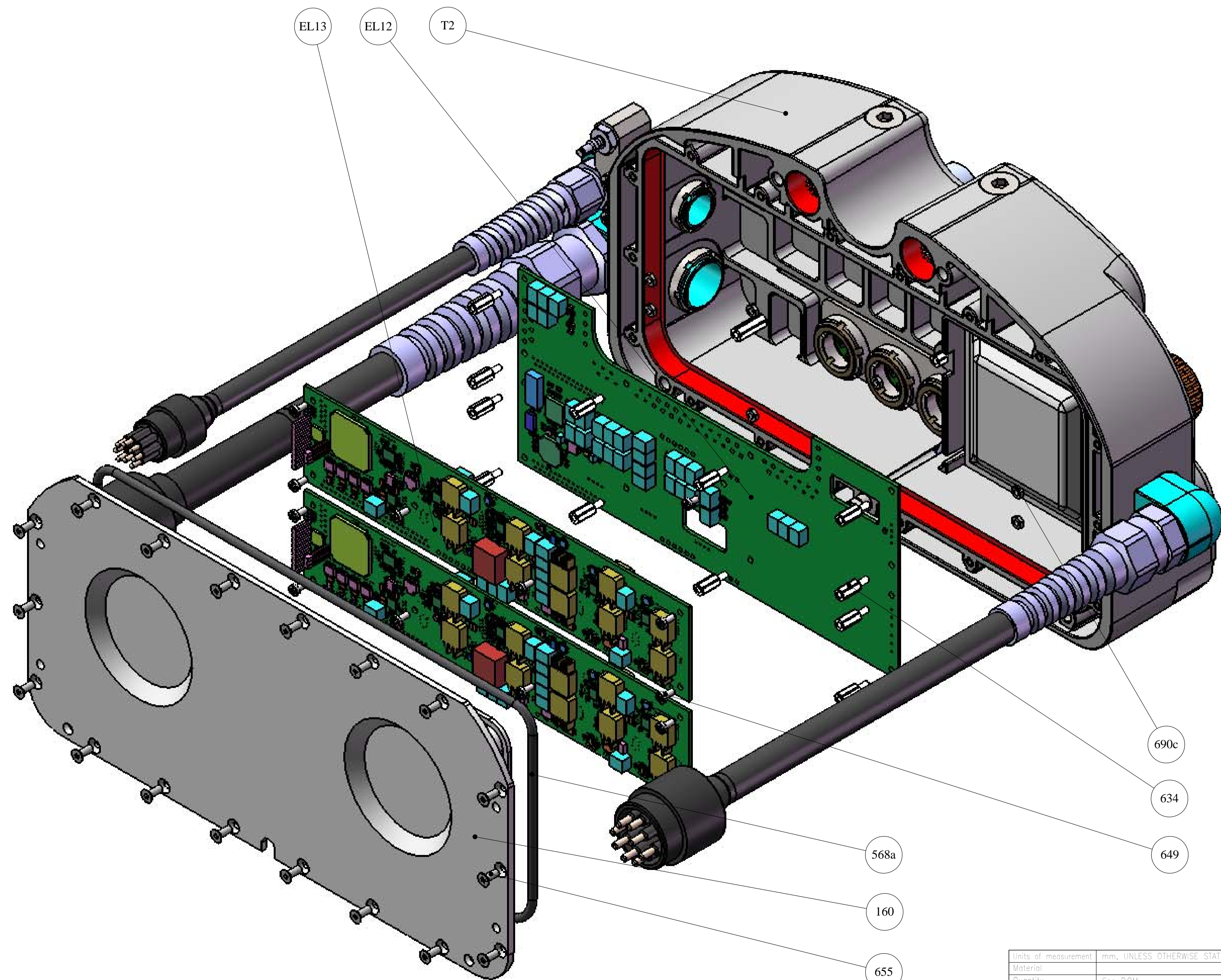


| Item N | Title | Part N | Qty |
|--------|-------------------------|----------------------|-----|
| T2 | Assy of MUX Body | ORT6030 | 1 |
| 160 | MUX Box Cover | ORT6002 | 1 |
| 568a | O-Ring BS266 | | 1 |
| 634 | Hexagone Pillar M2,5x10 | | 12 |
| 649 | Screw M2.5X6 | | 12 |
| 655 | CSK Screw M3X8 | | 18 |
| 690c | Nut M2,5 | | 8 |
| EL12 | MUX Wiring Board PCB | orutwb_a_1692009 | 1 |
| EL13 | MUX Board PCB | orut_d1_pcb_20091120 | 2 |



NOTES

1. Wiring to separate instruction.
2. Fill the cavity with Silicon Gel.
3. Lubricate O-Ring with grease before closing the Cover.

| | | | | | | | | | | | | | | | |
|----------------------|--|------|------------|--------|--|--------------|-----------|--|----------|----------------------------------|------|---------------------|-------|-------------------------|--|
| Units of measurement | mm, UNLESS OTHERWISE STATED | Mass | Format | ISO A4 | Designed by | A.Kudriashov | Change by | Approved by - date | Filename | ORT6000B | Date | 09.12.2009 | Scale | 1:1 | |
| Material | See BOM | | Projection | | DEEP LIFE LTD Strictly commercial-in-Confidence copyright (c) 2009. Copying prohibited except as provided for under written contract with Deep Life Ltd. | | | title/name ASSY OF DRB MUX BOX | | Drawing number ORT6000 | | Edition B | | Sheet(s) 1(1) | |
| Quantity | | | | | | | | | | | | | | | |
| Tolerances | UNLESS OTHERWISE STATED TOLERANCES: H12, h12, ±T12/2; ANGLE - ±30° | | | | | | | | | | | | | | |
| Surface roughness | 12,5mm MAX ON ALL MACHINED SURFACES UNLESS OTHERWISE STATED | | | | | | | | | | | | | | |
| Surface treatment | | | | | | | | | | | | | | | |