

1

2

3

4

F

F

E

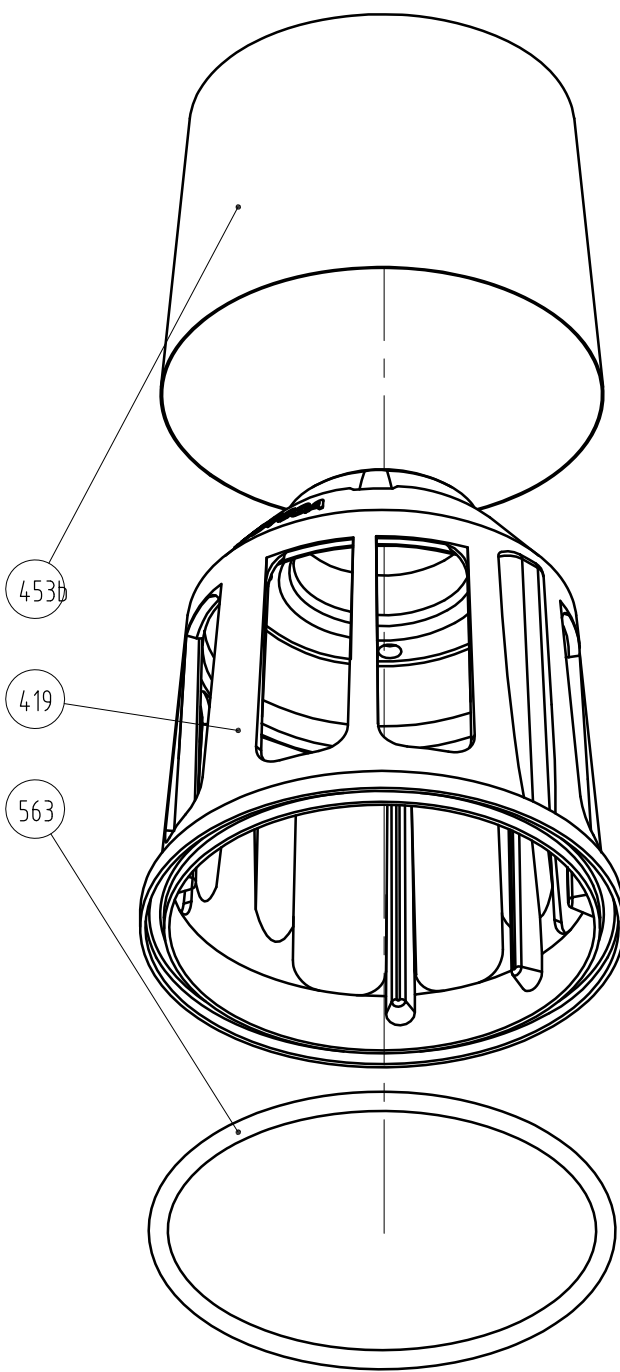
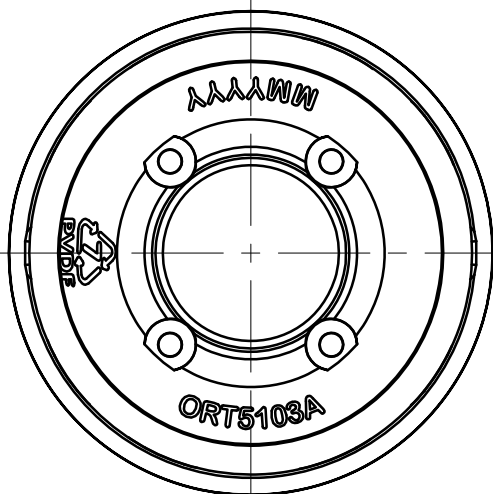
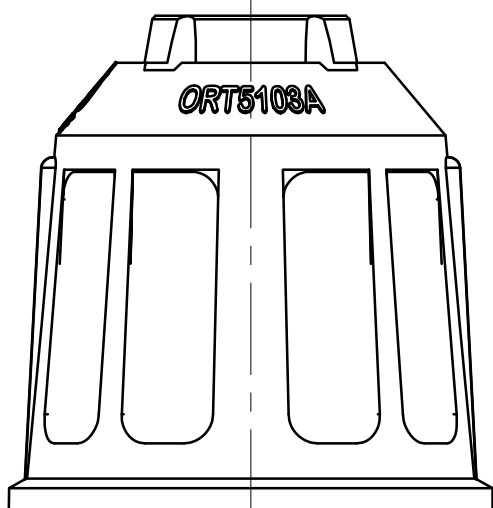
E

D

D

C

C



B

B

Pos. No	Title	Part No	Quantity
419	RB BELL	ORT5103	1
453b	BELL MEMBRANE	ORT5105	1
563	O-RING BS141		1

Units of measurement				Mass
Material				
Quantity	SEE BOM			
Tolerances				
Surface roughness				
Surface treatment				

A

A

Format ISO A4	Designed by A.KUDRIASHOV	Changed by -	Approved by - date -	Filename ORT5130A.dwg	Date 05.12.07	Scale 2:1
Projection 	<b>DEEP LIFE LTD</b> Strictly Commercial-in-Confidence, copyright (c) 2008. Copying prohibited except as provided for under written contract with Deep Life Ltd.			Title/Name <b>ASSY OF SS BELL</b>		Drawing number <b>ORT5130</b>
				Edition A	Sheet(s) 1(1)	

1

4