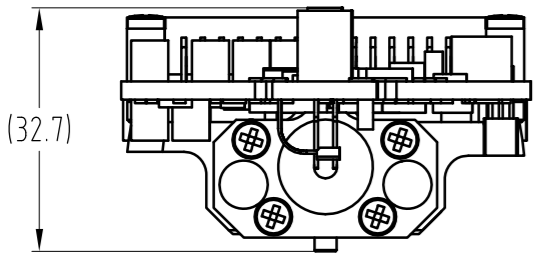
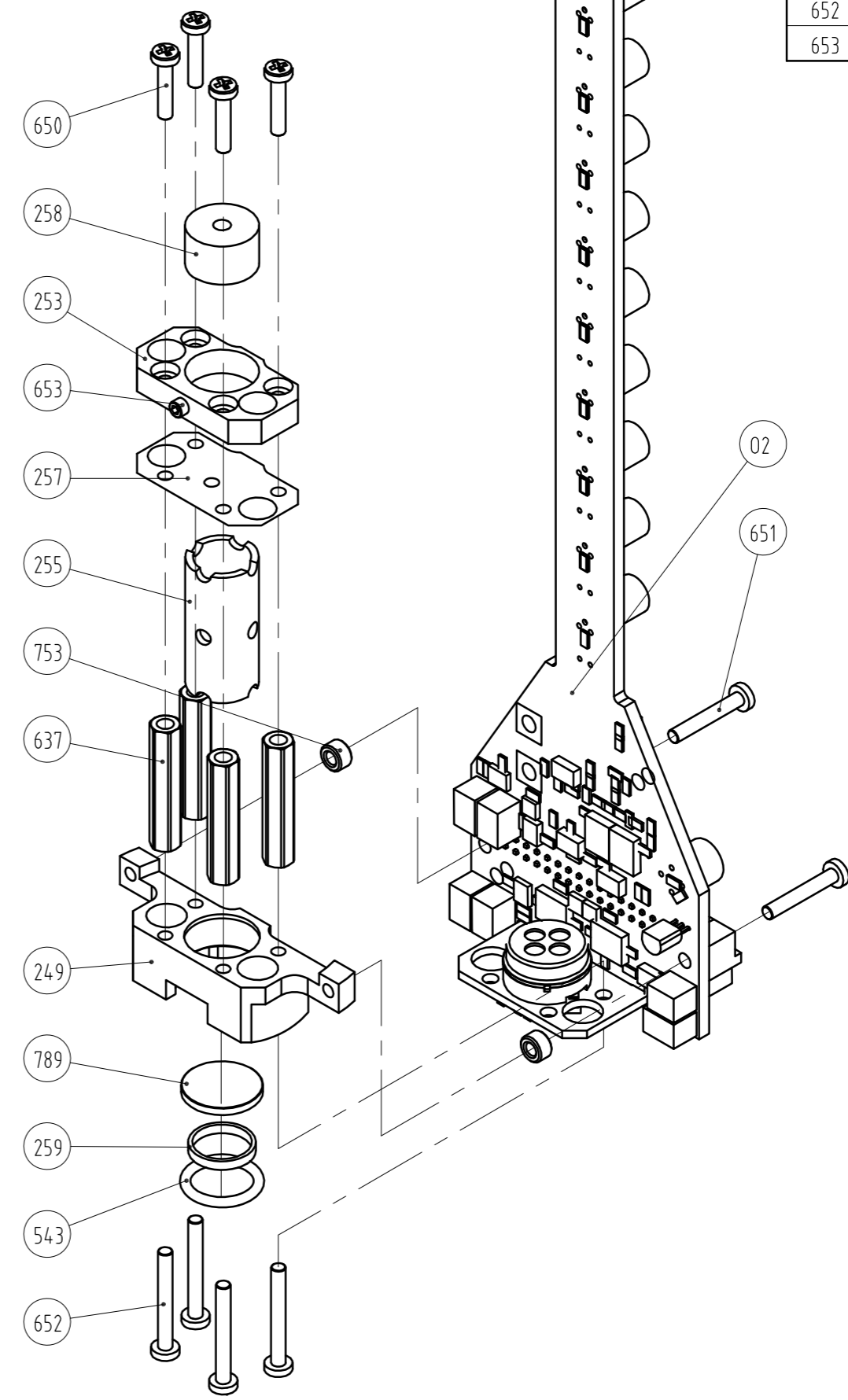
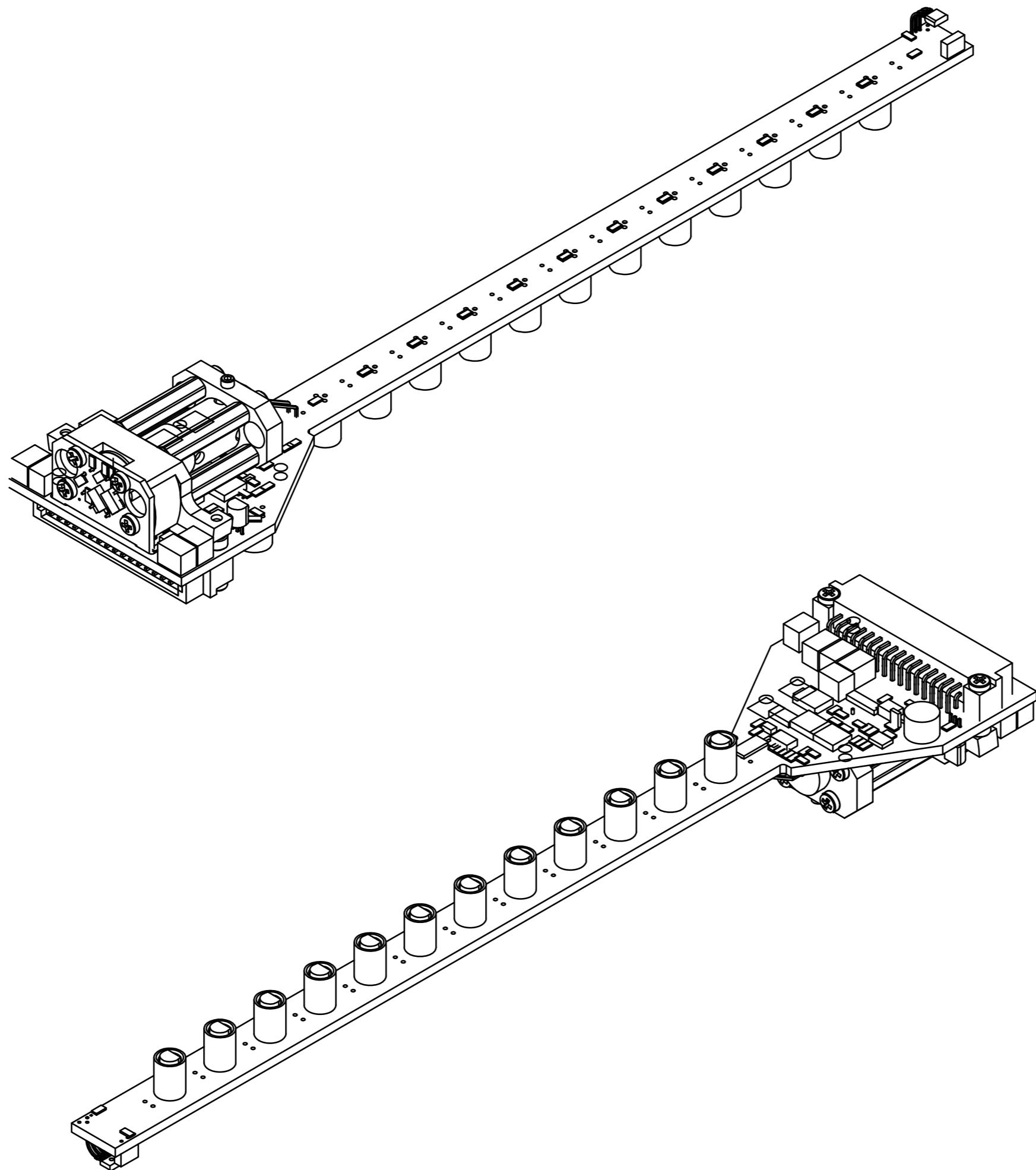
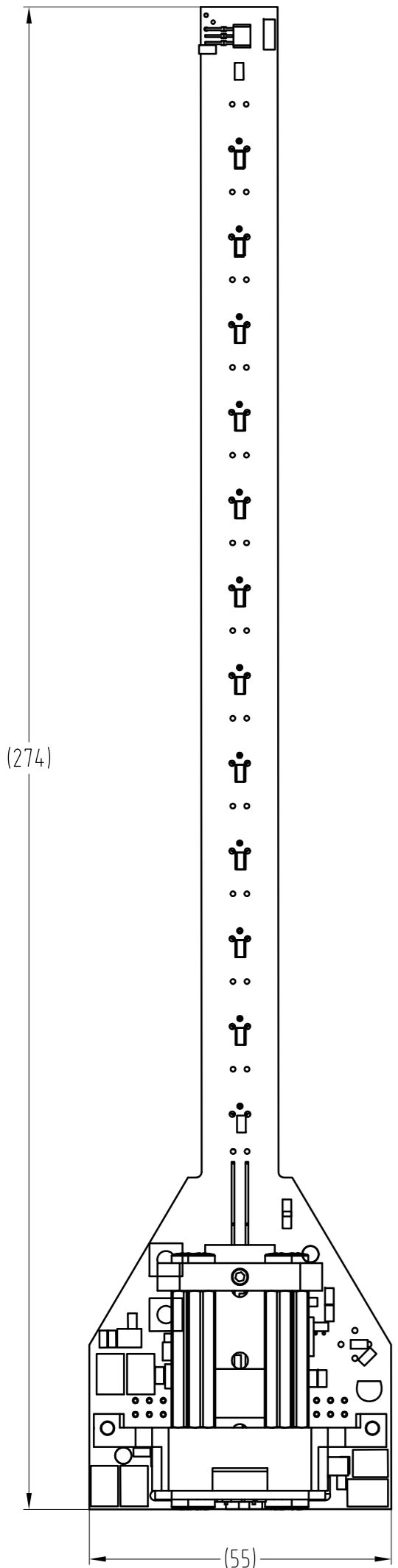


1 2 3 4 5 6 7 8 9

Pos. No	Title	Part No	Quantity
02	ASSY OF SS PCB	ORT5110	1
249	BRACKET	ORT6652	1
253	OPTICAL BRACKET	ORT6656	1
255	REFLECTOR	ORT6659	1
257	REFLECTOR SHIM	ORT6661	1
258	LAMP BUSH	ORT6662	1
259	GLASS RING	ORT6663	1
637	SPACER M2.5x25		4
753	SPACER 2.5x3		2
789	SAPHIRE WINDOW		1
543	O-RING BS019		1
650	SCREW M2.5x12		4
651	SCREW M2.5x16		2
652	SCREW M2.5x20		4
653	SCREW M3x6		1



Units of measurement	mm UNLESS OTHERWISE STATED	Mass	Format	ISO A2	Designed by	A.KUDRIASHOV	Changed by	-	Approved by - date	-	Filename	ORT5120A.dwg	Date	02.06.08	Scale	1:1			
Material			Projection		DEEP LIFE LTD		Strictly Commercial-in-Confidence, copyright (c) 2008. Copying prohibited except as provided for under written contract with Deep Life Ltd.		Title/Name		ASSY OF SS BOARD		Drawing number		ORT5120	Edition	A	Sheet(s)	1(1)
Quantity	SEE BOM																		
Tolerances																			
Surface roughness																			
Surface treatment																			

1 2 3 4 5 6 7 8 9