

4

3

2

1

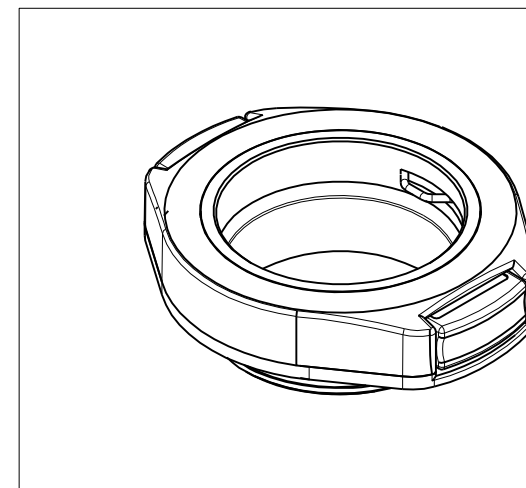
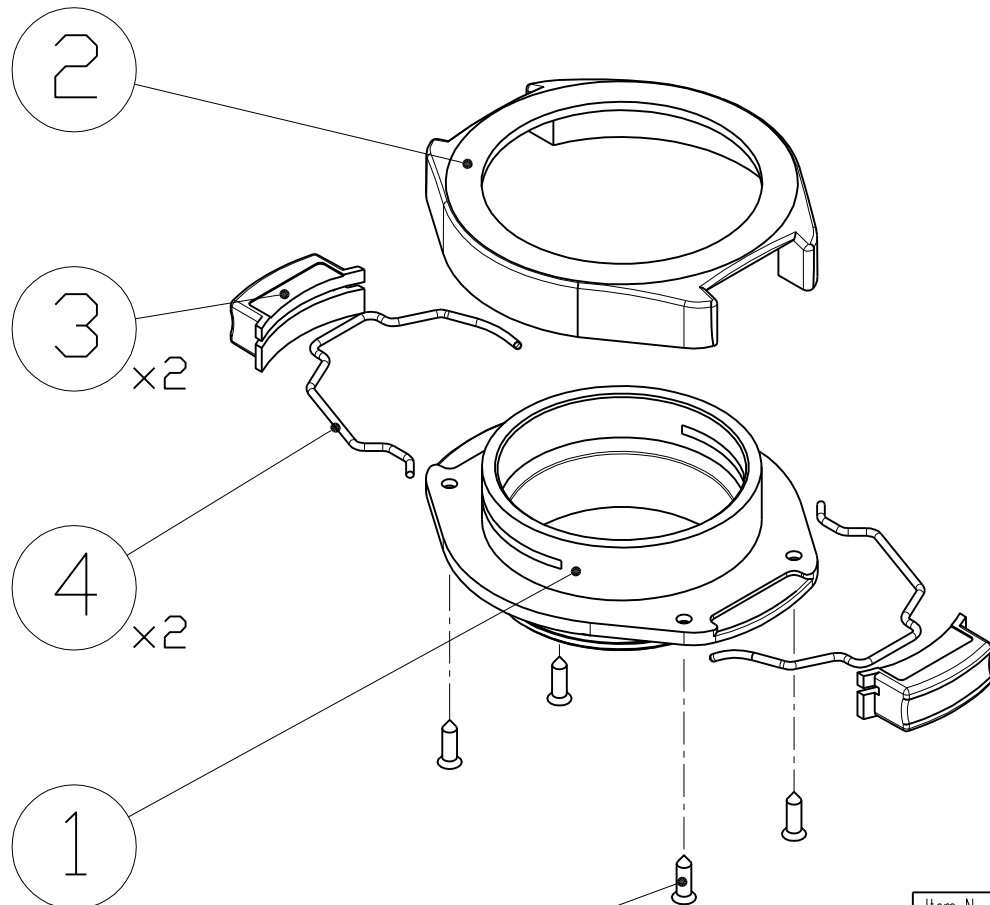
THESE DRAWINGS AND SPECIFICATIONS ARE THE PROPERTY OF DEEP LIFE LTD. AND SHALL NOT BE REPRODUCED, COPIED, OR USED AS THE BASIS FOR THE MANUFACTURE, OR SALE OF APPARATUS WITHOUT THE WRITTEN PERMISSION OF DEEP LIFE LTD.

REVISIONS

REV	DESCRIPTION	DATE	APPD

B

B

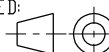


A

A

Item N	Title	Drawing/Part Number	Supplier Code	Material	Qty
1	P-Connector Body	RB162208	BA	BLACK POLYPROPYLENE	1
2	P-Connector Cover	RB162209	BA	BLACK POLYPROPYLENE	1
3	P-Connector Button	RB162210	BA	BLACK POLYPROPYLENE	2
4	P-Connector Spring	RB162212	AA	SPRING SS STEEL AISI 316Ti	2
5	CSK Self-tapping Screw #4x3/8	W/N4/0.375/KRA2AB/SF	TR	SS STEEL AISI 304	4

UNLESS OTHERWISE SPECIFIED:
DIMENSIONS ARE IN MM.
FIRST ANGLE PROJECTION.



	NAME	DATE
DRN	A.Bogachev	13-11-08
CHK	S.Belousov	13-11-08
ENG		
MFG		



DEEP LIFE LTD.

MATERIAL:

TITLE
Assy of P-Connector

NEXT ASSY:

ORS1100, ORS1200
Assy of SRB Inhale/Exhale CL

FINISH:

SIZE	DRG NUMBER	REV.
ISO A3	ORT3000	A
SCALE 1:2		SHEET 1 OF 1
FILE NAME ORT3000A.dwg		

4

3

2

1