

4

3

2

1

THESE DRAWINGS AND SPECIFICATIONS ARE THE PROPERTY OF DEEP LIFE LTD. AND SHALL NOT BE REPRODUCED, COPIED, OR USED AS THE BASIS FOR THE MANUFACTURE, OR SALE OF APPARATUS WITHOUT THE WRITTEN PERMISSION OF DEEP LIFE LTD.

REVISIONS

REV	DESCRIPTION	DATE	APPD

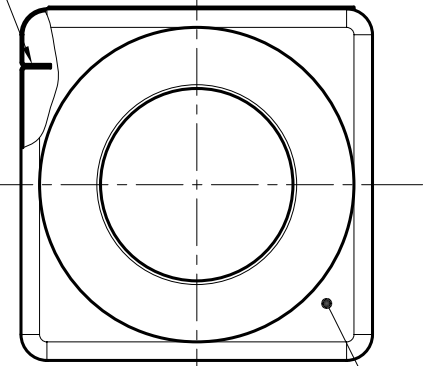
Welded joint

A

Welded joint

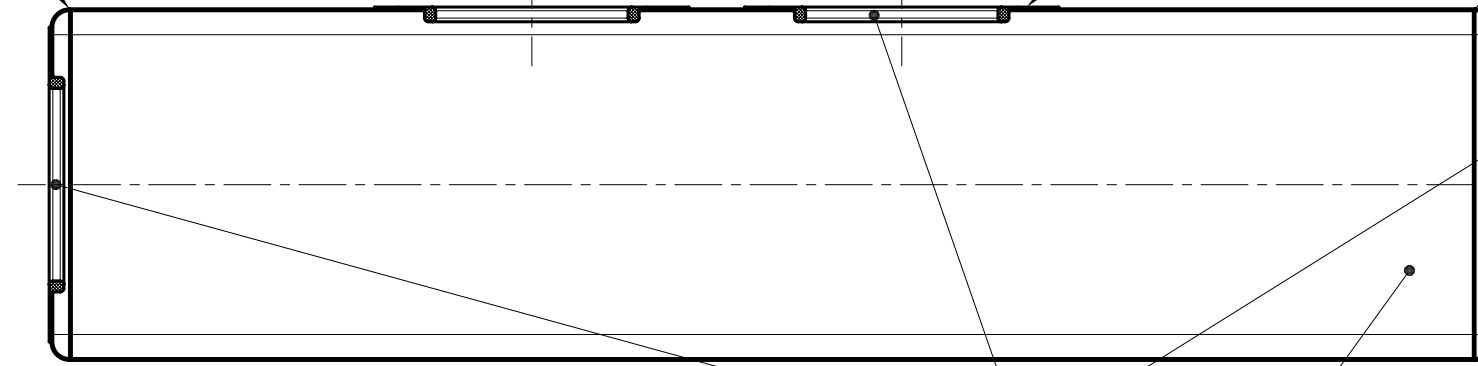
Welded joint

Welded joint



A

2

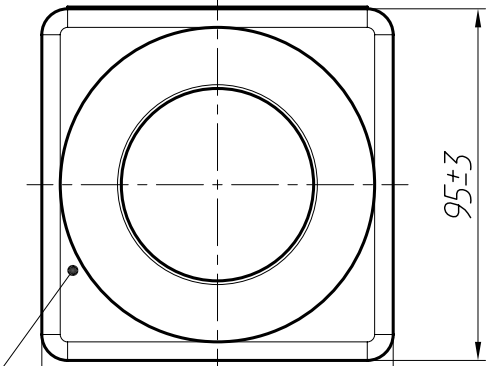


Section A-A

3

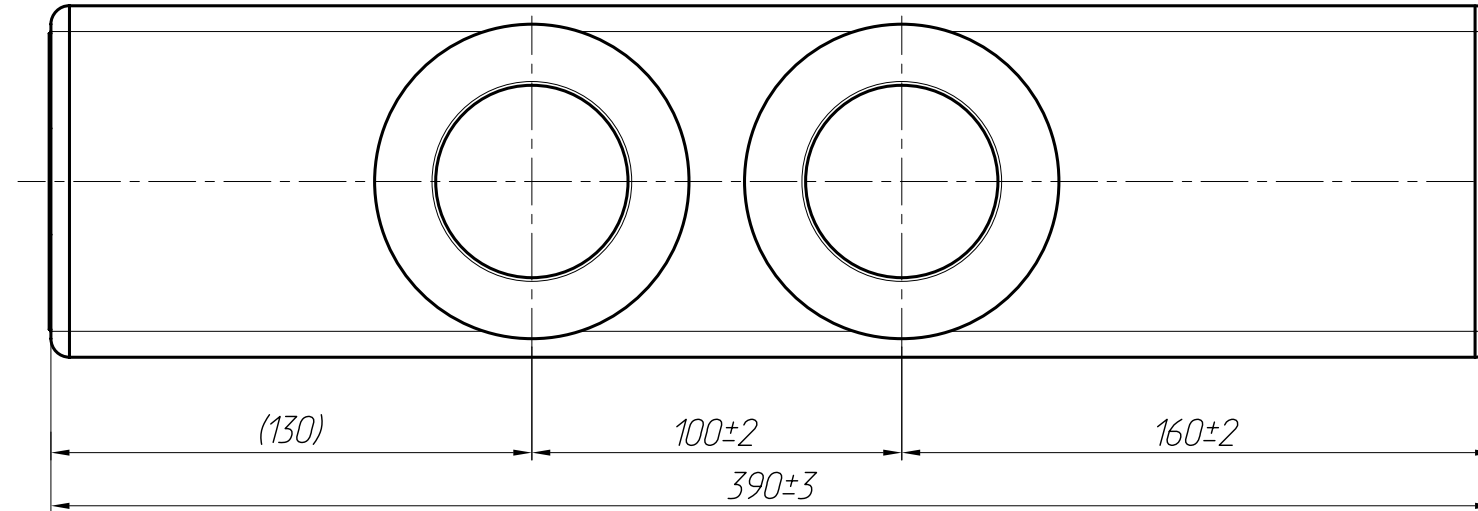
1

2



95±3

95±3



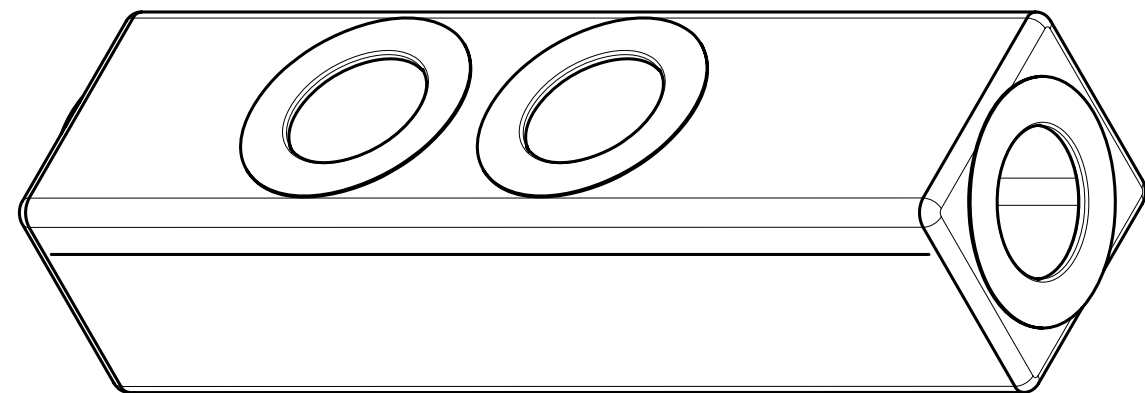
(Top Side)

(130)

100±2

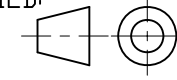
160±2

390±3



Item N	Title	Drawing/Part Number	Supplier Code	Material	Qty
1	DRB Exhale CL Bag Dev.	ORT1211	TA	Black TPU 0.6mm Water resistant	1
2	DRB Exhale CL Insert	ORT1212	TA	Black TPU 0.6mm Water resistant	2
3	Port Reinforcing Ring	DLL-70106	MA	Black TPU	3

UNLESS OTHERWISE SPECIFIED:
DIMENSIONS ARE IN MM.
FIRST ANGLE PROJECTION.



	NAME	DATE
DRN	S.Belousov	12-10-09
CHK	A.Bogachev	12-10-09
ENG		
MFG		



DEEP LIFE LTD.

NEXT ASSY:
ORT1200
Assy of DRB Exhale CL

MATERIAL:

FINISH:

TITLE
ASSY of DRB EXHALE CL BAG

SIZE ISO A3	DRG NUMBER ORT1210	REV. B
SCALE 1:2		SHEET 1 OF 1
FILE NAME ORT1210B.dwg		

4

3

2

1