

4

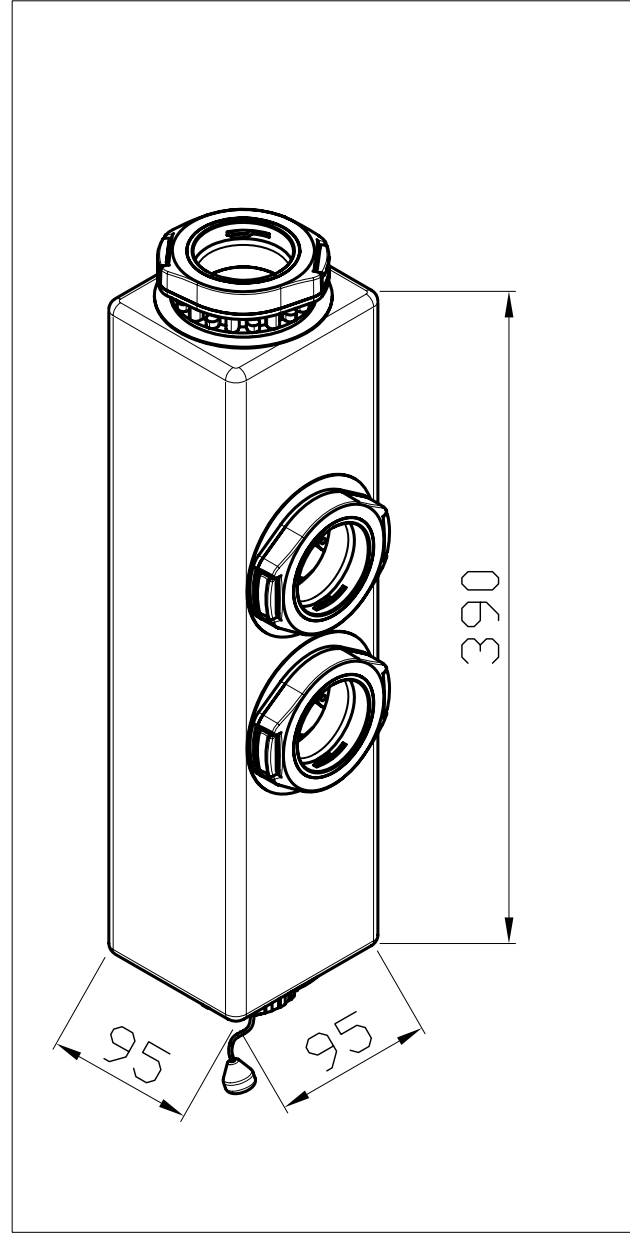
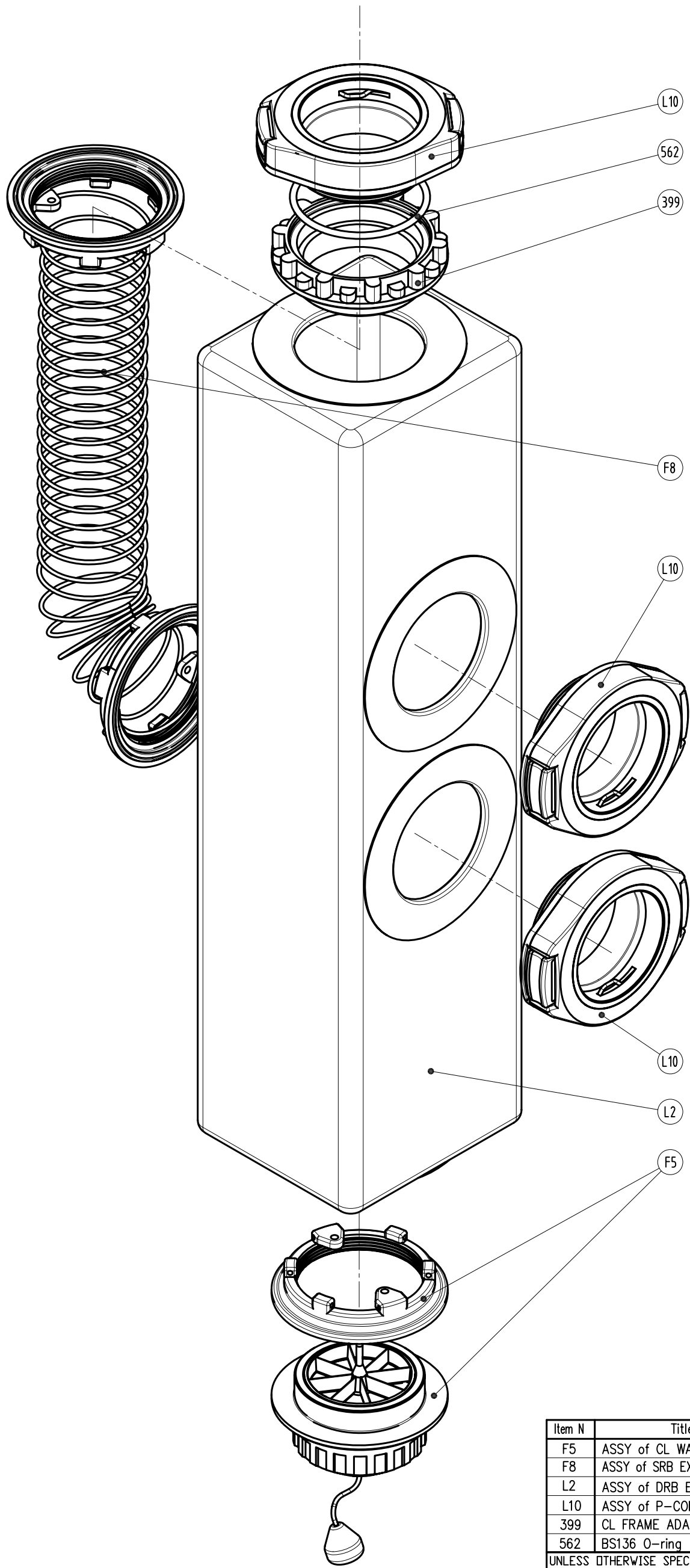
3

2

THESE DRAWINGS AND SPECIFICATIONS ARE THE PROPERTY OF DEEP LIFE LTD. AND SHALL NOT BE REPRODUCED, COPIED, OR USED AS THE BASIS FOR THE MANUFACTURE, OR SALE OF APPARATUS WITHOUT THE WRITTEN PERMISSION OF DEEP LIFE LTD.

REVISIONS

REV	DESCRIPTION	DATE	APPD



Item N	Title	Drawing/Part Number	Supplier Code	Material	Qty
F5	ASSY of CL WATER DUMP	ORS1130			1
F8	ASSY of SRB EXHALE CL SPRING	ORS1220			1
L2	ASSY of DRB EXHALE CL BAG	ORT1210			1
L10	ASSY of P-CONNECTOR	ORT3000			3
399	CL FRAME ADAPTOR	ORS7043			1
562	BS136 O-ring	BS136EPDM70			1

UNLESS OTHERWISE SPECIFIED: DIMENSIONS ARE IN MM. FIRST ANGLE PROJECTION.		<table border="1"> <tr><th>NAME</th><th>DATE</th></tr> <tr><td>DRN S.Belousov</td><td>12-10-09</td></tr> <tr><td>CHK A.Bogachev</td><td>12-10-09</td></tr> <tr><td>ENG</td><td></td></tr> <tr><td>MFG</td><td></td></tr> </table>	NAME	DATE	DRN S.Belousov	12-10-09	CHK A.Bogachev	12-10-09	ENG		MFG		<p><b>DEEP LIFE LTD.</b></p>
NAME	DATE												
DRN S.Belousov	12-10-09												
CHK A.Bogachev	12-10-09												
ENG													
MFG													
NEXT ASSY: <b>ORT0000</b> <b>OR Commercial Diver's Umbilical eCCR/eSCR</b>		MATERIAL:	TITLE <b>Assy of DRB Exhale Counterlung</b>										
		FINISH:	<table border="1"> <tr> <td>SIZE ISD A2</td> <td>DRG NUMBER <b>ORT1200</b></td> <td>REV. <b>B</b></td> </tr> <tr> <td colspan="2">SCALE -</td> <td>SHEET 1 OF 1</td> </tr> <tr> <td colspan="3">FILE NAME ORT1200B.dwg</td> </tr> </table>	SIZE ISD A2	DRG NUMBER <b>ORT1200</b>	REV. <b>B</b>	SCALE -		SHEET 1 OF 1	FILE NAME ORT1200B.dwg			
SIZE ISD A2	DRG NUMBER <b>ORT1200</b>	REV. <b>B</b>											
SCALE -		SHEET 1 OF 1											
FILE NAME ORT1200B.dwg													

NOTES:

n1. APPLY SMALL AMOUNT OF OXYGEN-COMPATIBLE GREASE ONTO ALL THREADED SURFACES AND O-RINGS.

4

3

2