

4

3

2

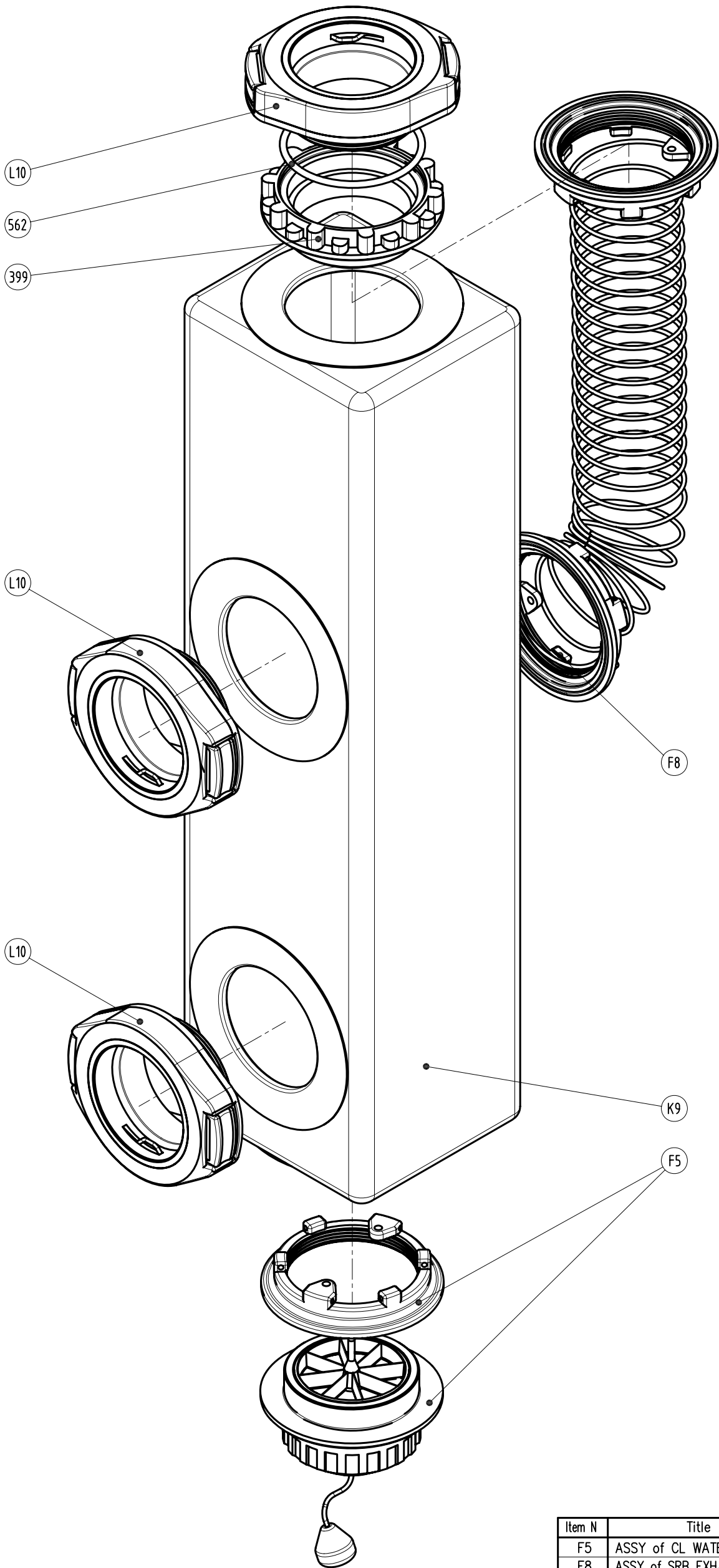
REVISIONS

THESE DRAWINGS AND SPECIFICATIONS ARE THE PROPERTY OF DEEP LIFE LTD. AND SHALL NOT BE REPRODUCED, COPIED, OR USED AS THE BASIS FOR THE MANUFACTURE, OR SALE OF APPARATUS WITHOUT THE WRITTEN PERMISSION OF DEEP LIFE LTD.

| REV | DESCRIPTION | DATE | APPD |
|-----|-------------|------|------|
| | | | |

D

D



C

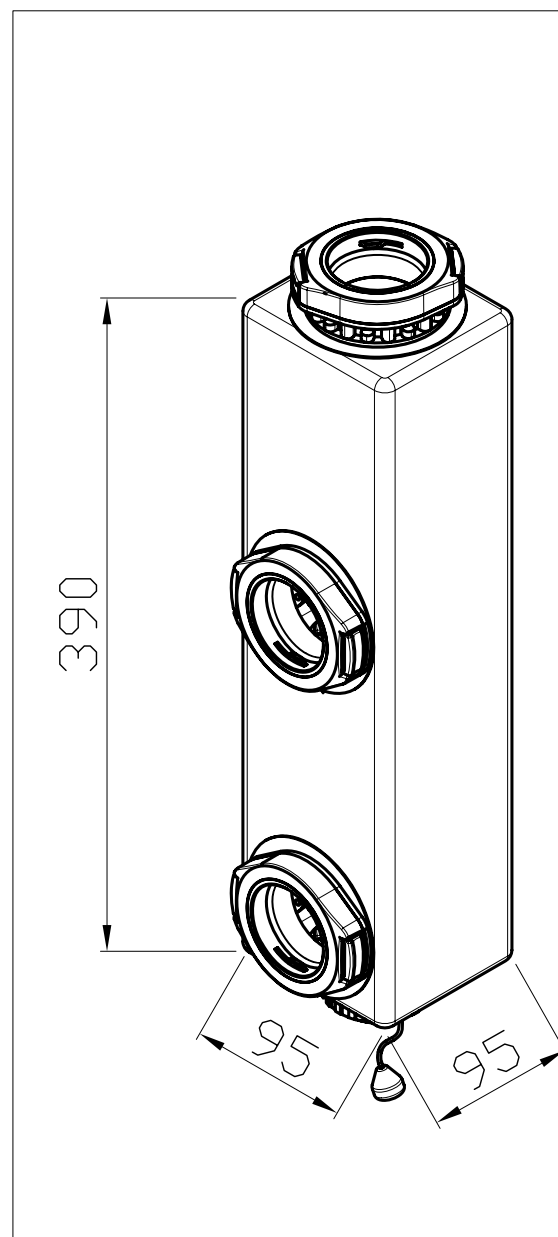
C

B

B

A

A



NOTES:

- n1. APPLY SMALL AMOUNT OF OXYGEN-COMPATIBLE GREASE ONTO ALL THREADED SURFACES AND O-RINGS.

| Item N | Title | Drawing/Part Number | Supplier Code | Material | Qty |
|--------|------------------------------|---------------------|---------------|----------|-----|
| F5 | ASSY of CL WATER DUMP | ORS1130 | | | 1 |
| F8 | ASSY of SRB EXHALE CL SPRING | ORS1220 | | | 1 |
| K9 | ASSY of DRB INHALE CL BAG | ORT1110 | | | 1 |
| L10 | ASSY of P-CONNECTOR | ORT3000 | | | 2 |
| 399 | CL FRAME ADAPTOR | ORS7043 | | | 1 |
| 562 | O-ring BS136 | BS136EPDM70 | | | 1 |

UNLESS OTHERWISE SPECIFIED:
DIMENSIONS ARE IN MM.
FIRST ANGLE PROJECTION.

| | NAME | DATE |
|-----|------------|----------|
| DRN | S.Belousov | 10-12-09 |
| CHK | A.Bogachev | 10-12-09 |
| ENG | | |
| MFG | | |

DEEP LIFE LTD.

NEXT ASSY: **ORT0000**
OR Commercial Diver's Umbilical eCCR/eSCR

MATERIAL:
FINISH:

TITLE **Ass'y of DRB Inhale Counterlung**

| | | |
|------------------------|------------------------------|------------------|
| SIZE ISD A2 | DRG NUMBER ORT1100 | REV. B |
| SCALE - | SHEET 1 OF 1 | |
| FILE NAME ORT1100B.dwg | | |

4

3

2