

1 2 3 4 5 6 7 8 9

A

A

B

B

C

C

D

D

E

E

F

F

G

G

H

H

I

I

J

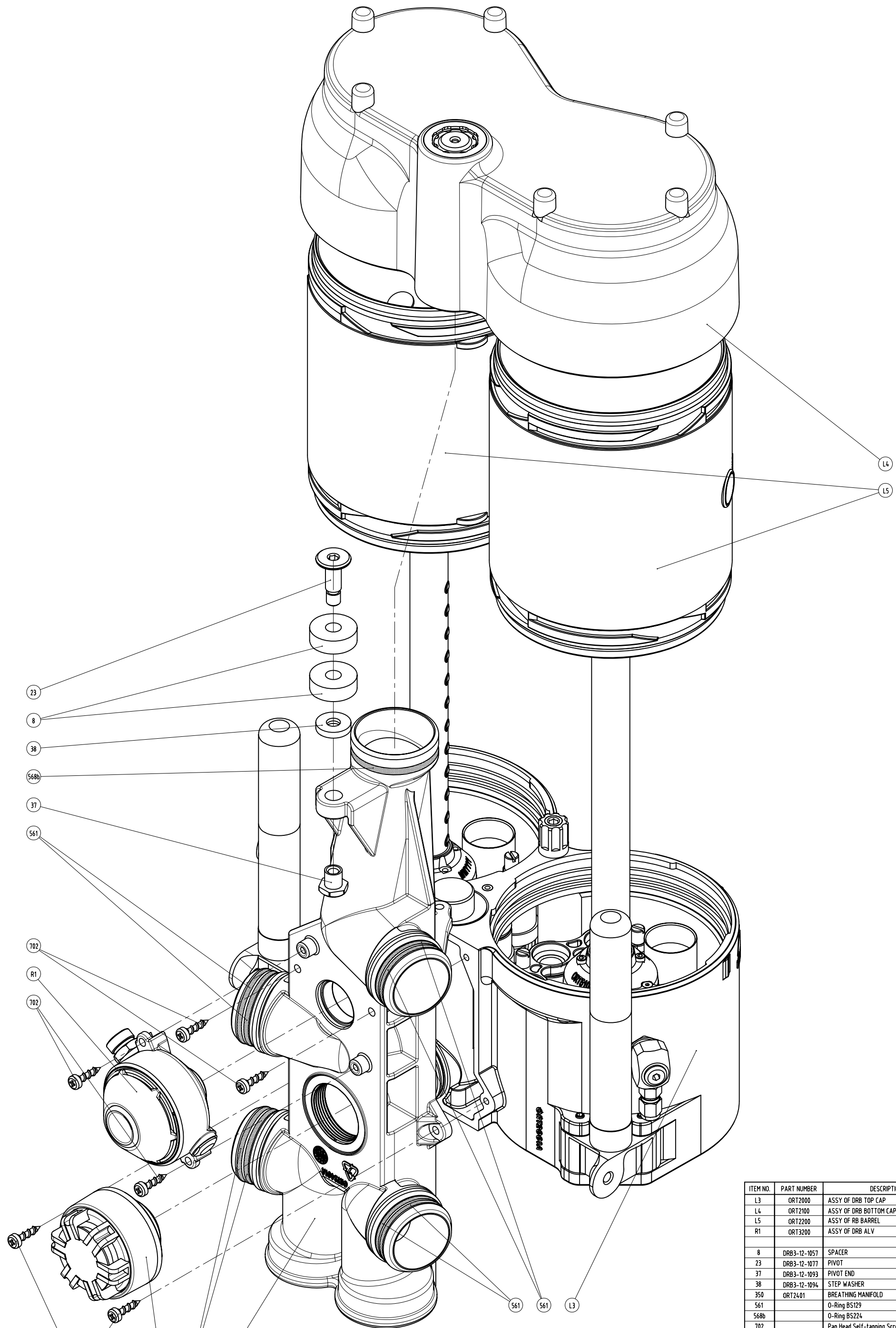
J

K

K

L

L



ITEM NO.	PART NUMBER	DESCRIPTION	Quantity
L3	ORT2000	ASSY OF DRB TOP CAP	1
L4	ORT2100	ASSY OF DRB BOTTOM CAP	1
L5	ORT2200	ASSY OF RB BARREL	2
R1	ORT3200	ASSY OF DRB ALV	1
8	DRB3-12-1057	SPACER	2
23	DRB3-12-1077	PIVOT	1
37	DRB3-12-1093	PIVOT END	1
38	DRB3-12-1094	STEP WASHER	1
350	ORT2401	BREATHING MANIFOLD	1
561		O-Ring BS129	8
568b		O-Ring BS224	1
702		Pan Head Self-tapping Screw No.10x19	6
802		Approved Exhaust Valve - option from 802a-802c	6

Units of measurement	mm UNLESS OTHERWISE STATED	Mass		Format	ISO A1	Designed by	A.KUDRIASHOV	Changed by	-	Approved by - date	A.BOGATCHEV	Filename	ORT1000B.dwg	Date	01.12.2009	Scale	1:1
Material				Projection		<b>DEEP LIFE LTD</b> Strictly Commercial-in-Confidence. copyright (c) 2008. Copying prohibited except as provided for under written contract with Process Insight Ltd.				Title/Name		ASSY OF DRB CANISTER					
Quantity	SEE BOM									Drawing number		ORT1000					
Tolerances										Edition		B					
Surface roughness										Sheet(s)		10					
Surface treatment																	

1 2 3 4 5 6 7 8 9