

1 2 3 4 5 6 7 8

A A

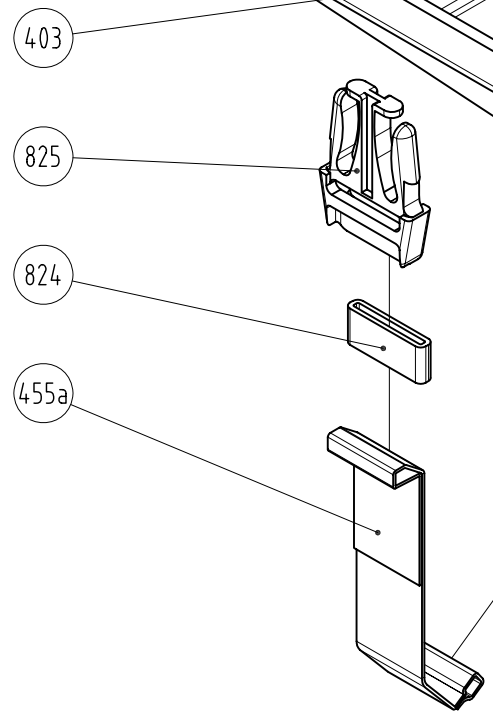
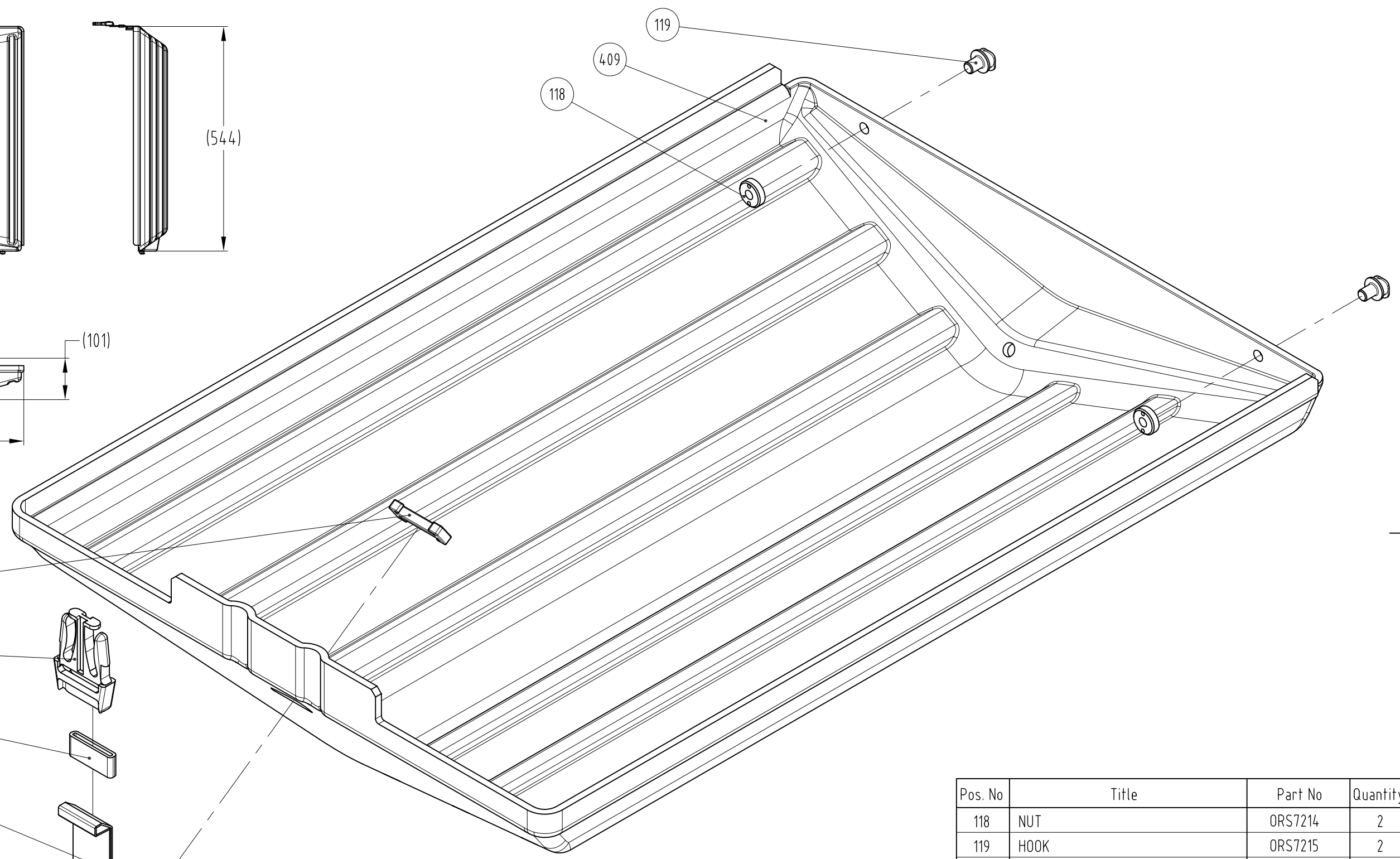
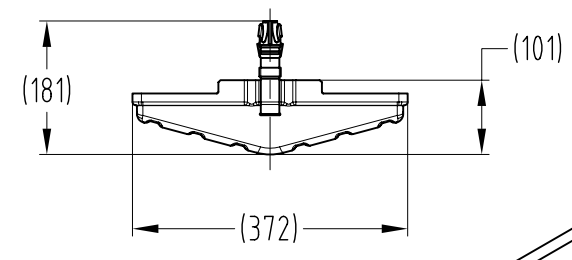
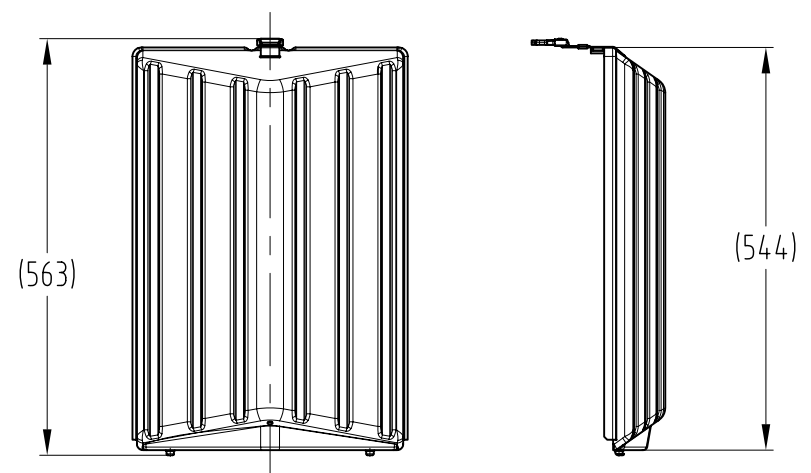
B B

C C

D D

E E

F F



Pos. No	Title	Part No	Quantity
118	NUT	ORS7214	2
119	HOOK	ORS7215	2
403	RETAINER	ORS7084	1
409	CCR CASE COVER	ORS7206	1
455a	BUCKLE ATTACHMENT STRAP 25mm	ORS7216	1
824	Stealth Strap Keeper 1"	5553	1
825	Stealth UTX Male Buckle 1"	6358	1

Units of measurement	mm UNLESS OTHERWISE STATED	Mass	1,205 kg	Format	ISO A3	Designed by	S.Belousov	Changed by	-	Approved by - date	A.BOGATCHEV	Filename	ORS7200A.dwg	Date	19.05.2009	Scale	1:10	
Material																		
Quantity	SEE BOM																	
Tolerances																		
Surface roughness																		
Surface treatment																		
													DEEP LIFE LTD Strictly Commercial-in-Confidence. copyright (c) 2009. Copying prohibited except as provided for under written contract with Deep Life Ltd.				Title/Name ASSY OF CASE COVER	
											Drawing number ORS7200		Edition A		Sheet(s) 1(1)			

1 2 7 8