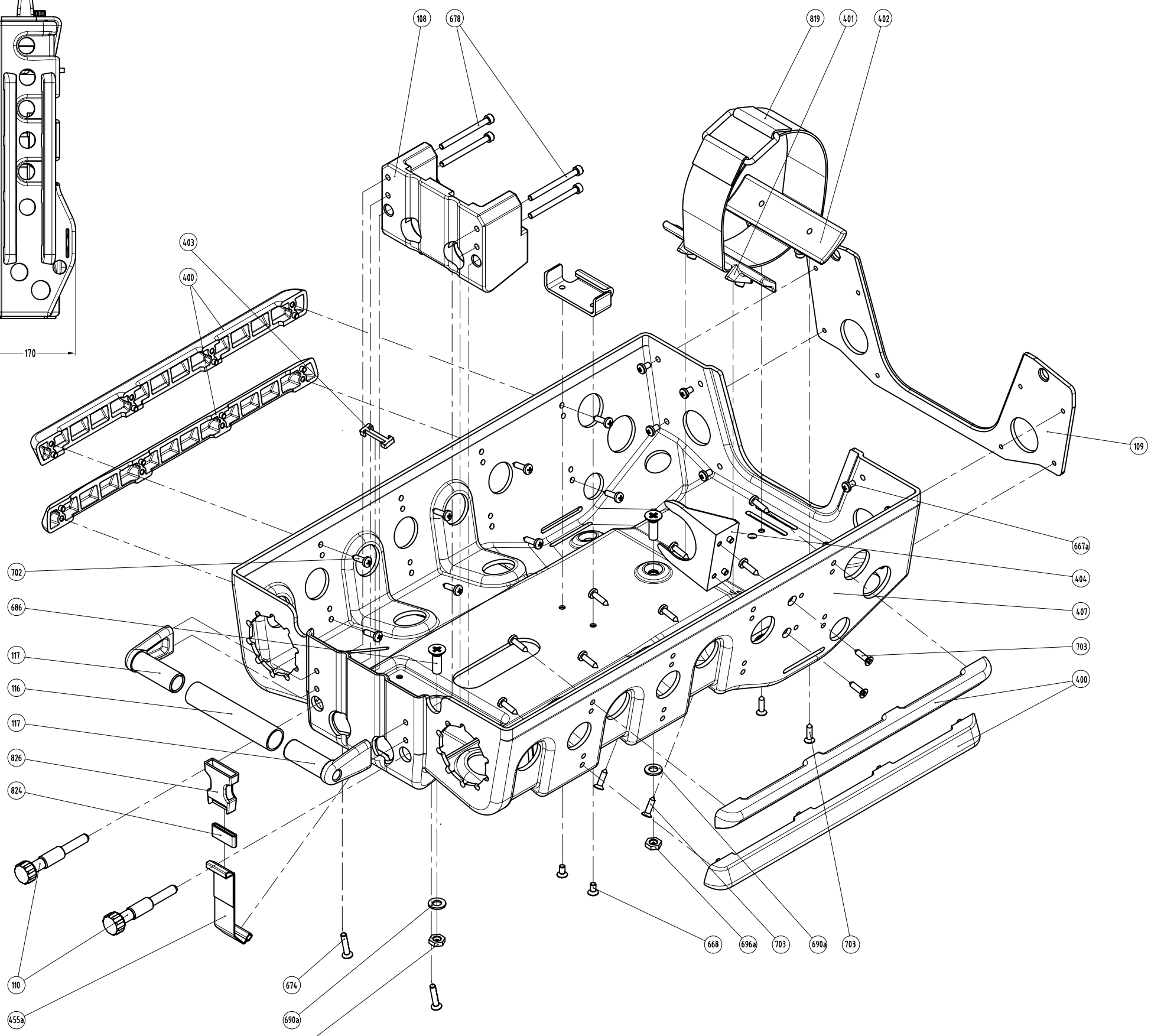
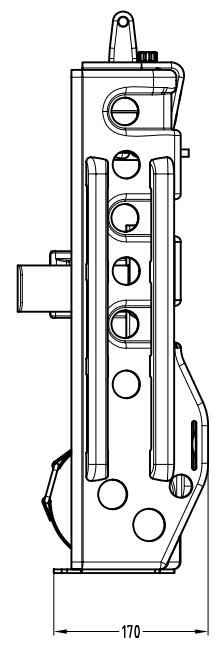
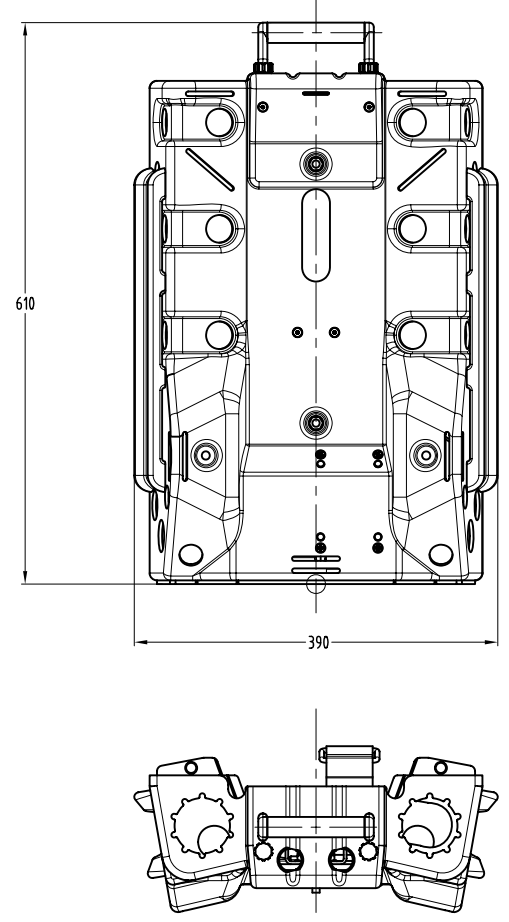


1 2 3 4 5 6 7 8 9 10 11 12

A
B
C
D
E
F
G
H
I

A
B
C
D
E
F
G
H
I



Pos. No	Title	Part No	Quantity
108	WEIGHT	ORS7061	1
109	BOTTOM PLATE	ORS7064	1
110	LOCK PIN	ORS7065	1
116	HANDLE TUBE	ORS7121	1
117	HANDLE HALF	ORS7123	2
400	RAILING	ORS7079	4
401	TANK BRACKET 1	ORS7081	1
402	TANK BRACKET 2	ORS7082	1
403	RETAINER	ORS7084	1
404	CL BOTTOM BRACKET	ORS7086	1
408	eCCR CASE FRAME	ORS7106B4	1
455a	BUCKLE ATTACHMENT STRAP 25mm	ORS7216	1
667a	BUTTON HEAD SOCKET SCREW M5x8		8
668	SCK SOCKET SCREW M5x10		4
674	SCK SOCKET SCREW M5x20		2
678	CAP HEAD SCREW M5x60		4
686	SCK SOCKET SCREW M8x25		2
690a	PLAIN WASHER M8		2
696a	THIN NUT M8		2
702	PAN HEAD SELF-TAPPING SCREW No.10x19		16
703	CSK SELF-TAPPING SCREW No.10x19		6
819	SS CAM BAND		1
824	Stealth Strap Keeper 1"	5553	1
826	Stealth UTx Female Buckle 1"	6359	1

Units of measurement	mm UNLESS OTHERWISE STATED	Mass	4,17 kg	Format	ISO A1	Designed by	A.KUDRIASHOV	Changed by	S.Belousov	Approved by - date	A.BOGATCHEV	Filename	ORS7000A.dwg	Date	18.05.2009	Scale	1:5
Material		Quantity	SEE BOM	Projection		DEEP LIFE LTD Strictly Commercial-in-Confidence, copyright (c) 2008. Copying prohibited except as provided for under written contract with Process Insight Ltd.			Title/Name ASSY of eCCR CASE FRAME		Drawing number ORS7000	Edition A	Sheet(s) 1(1)				

1 2 3 4 5 6 7 8 9 10 11 12