

A

B

C

D

E

F

A

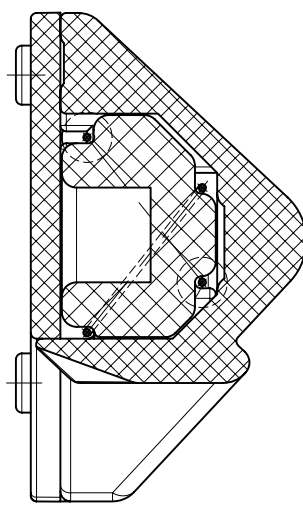
B

C

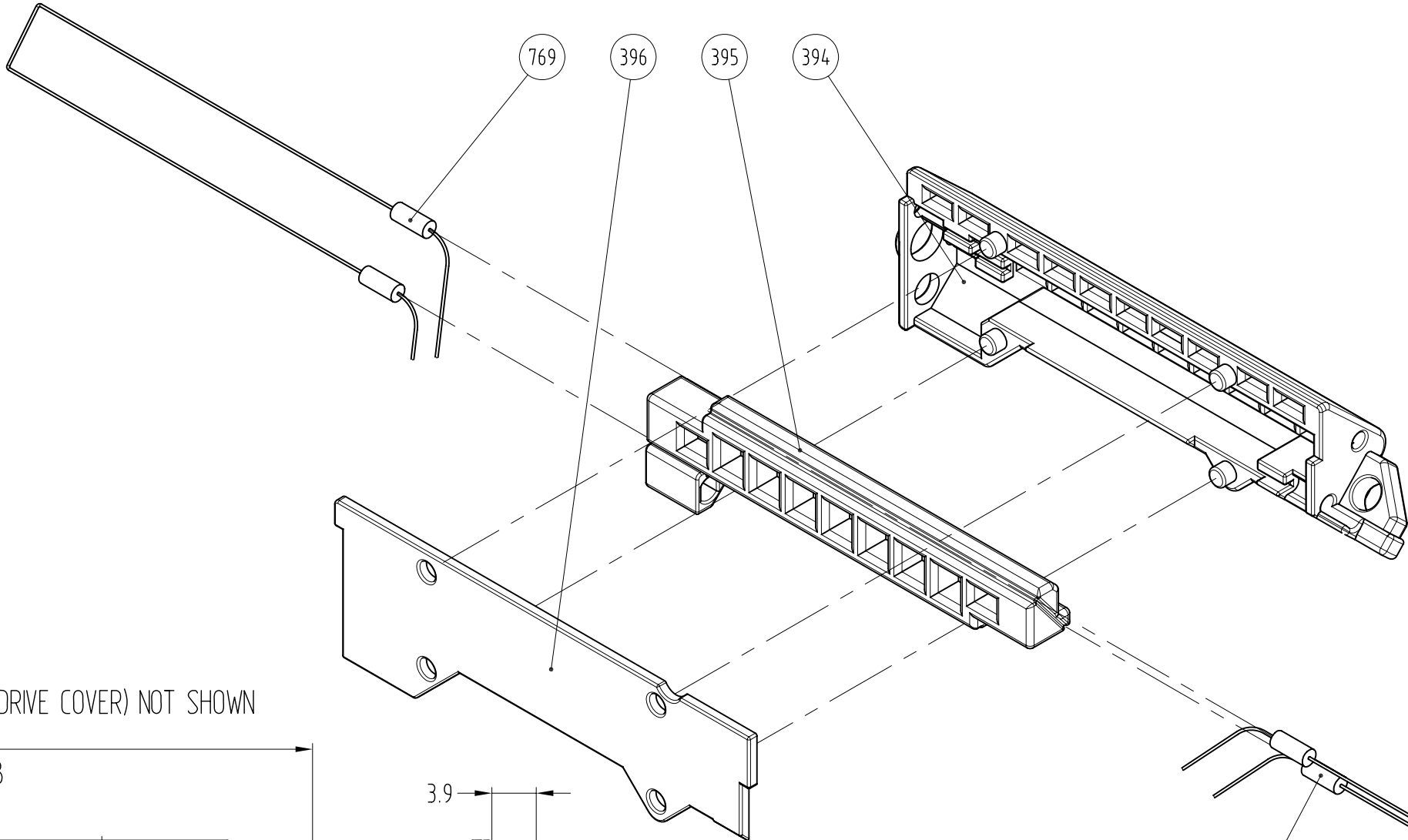
D

E

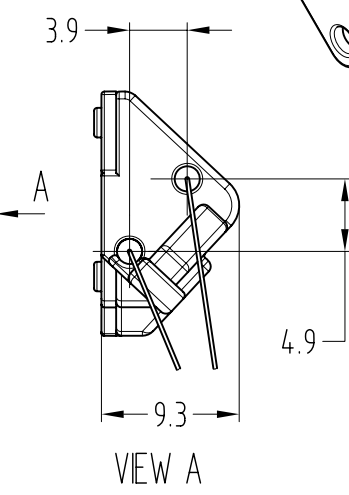
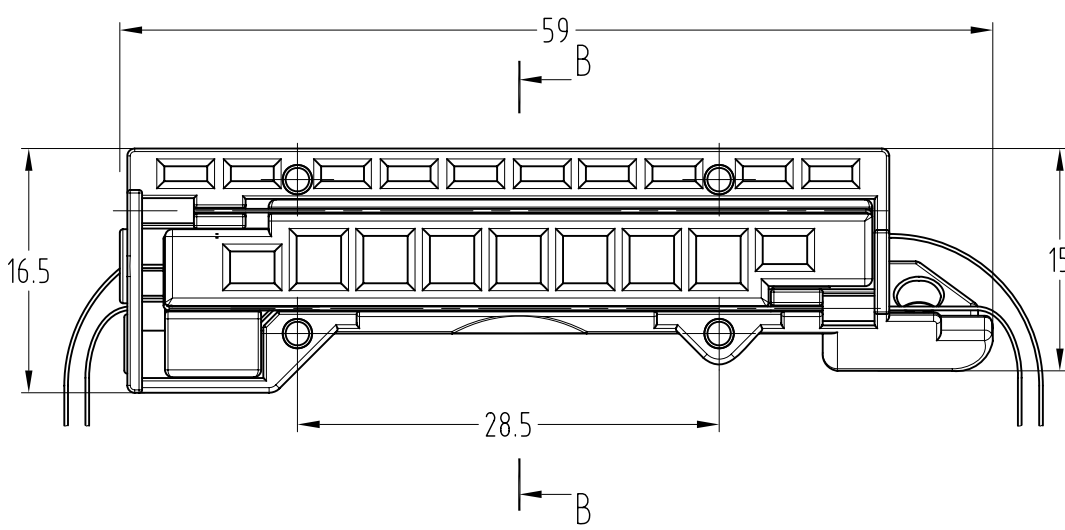
F



SECTION B-B



DETAIL Pos.3 (ORS6503 WIRE DRIVE COVER) NOT SHOWN



NOTES
n1. Assemble following the steps described in Assembly instructions.

Pos. No	Title	Part No	Quantity
394	WIRE DRIVE BODY	ORS6501A	1
395	WIRE DRIVE FRAME	ORS6502A	1
396	WIRE DRIVE COVER	ORS6503A	1
769	FLEXINOL ACTUATOR WIRE		2

Units of measurement	mm UNLESS OTHERWISE STATED	Mass	0,06 kg	Format	ISO A3	Designed by	A.KUDRIASHOV	Changed by	-	Approved by - date	A.BOGATCHEV	Filename	ORS6520A.dwg	Date	10.09.2009	Scale	2:1	
Material				Projection		DEEP LIFE LTD		Strictly Commercial-in-Confidence, copyright (c) 2009. Copying prohibited except as provided for under written contract with Deep Life Ltd.		Title/Name		ASSY OF WIRE DRIVE						
Quantity	SEE BOM									Drawing number		ORS6520	Edition		A	Sheet(s)		1(1)
Tolerances																		
Surface roughness																		
Surface treatment																		