

1

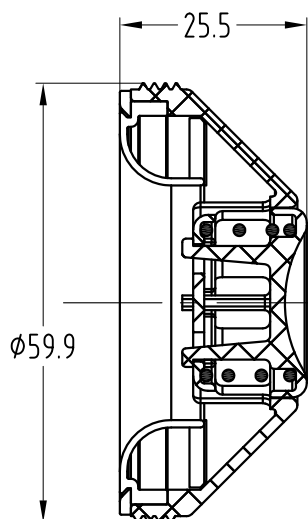
2

3

4

F

F



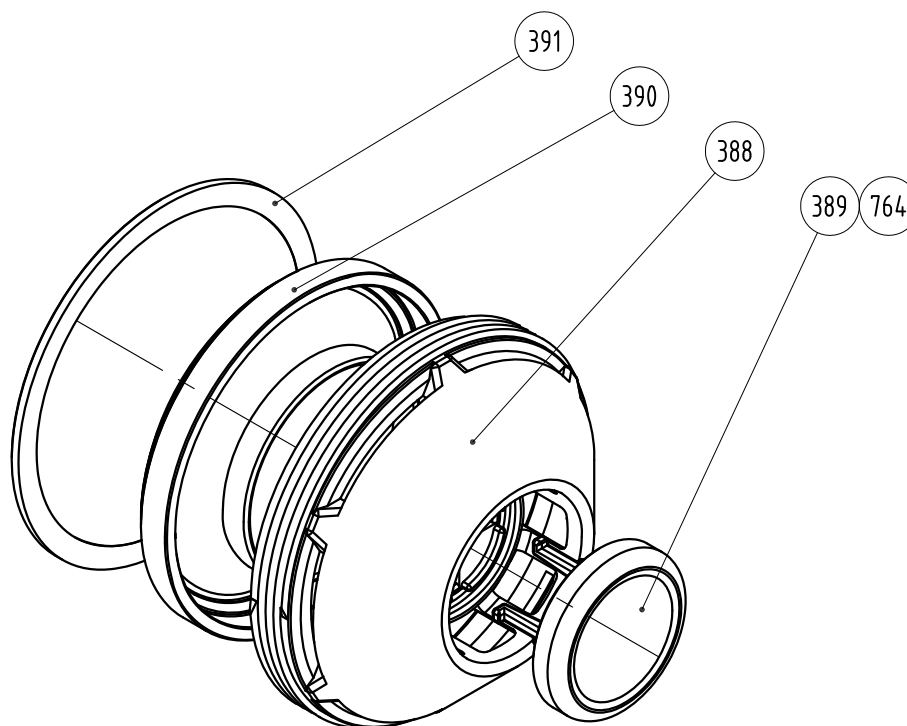
Pos. No	Title	Part No	Quantity
388	ALV CAP	ORS6411	1
389	ALV BUTTON	ORS6412	1
390	ALV COVER	ORS6413	1
391	ALV WASHER	ORS6414	1
764	Compression Spring		1

E

E

D

D



C

C

B

B

Units of measurement		Mass	0,1 kg
Material			
Quantity	SEE BOM		
Tolerances			
Surface roughness			
Surface treatment			

A

A

Format ISO A4	Designed by A.KUDRIASHOV	Changed by -	Approved by - date -	Filename ORS6410A.dwg	Date 07.07.09	Scale 1:1		
Projection 	DEEP LIFE LTD Strictly Commercial-in-Confidence, copyright (c) 2008. Copying prohibited except as provided for under written contract with Deep Life Ltd.			Title/Name ASSY OF ALV		Drawing number ORS6410	Edition A	Sheet(s) 1(1)

1

4