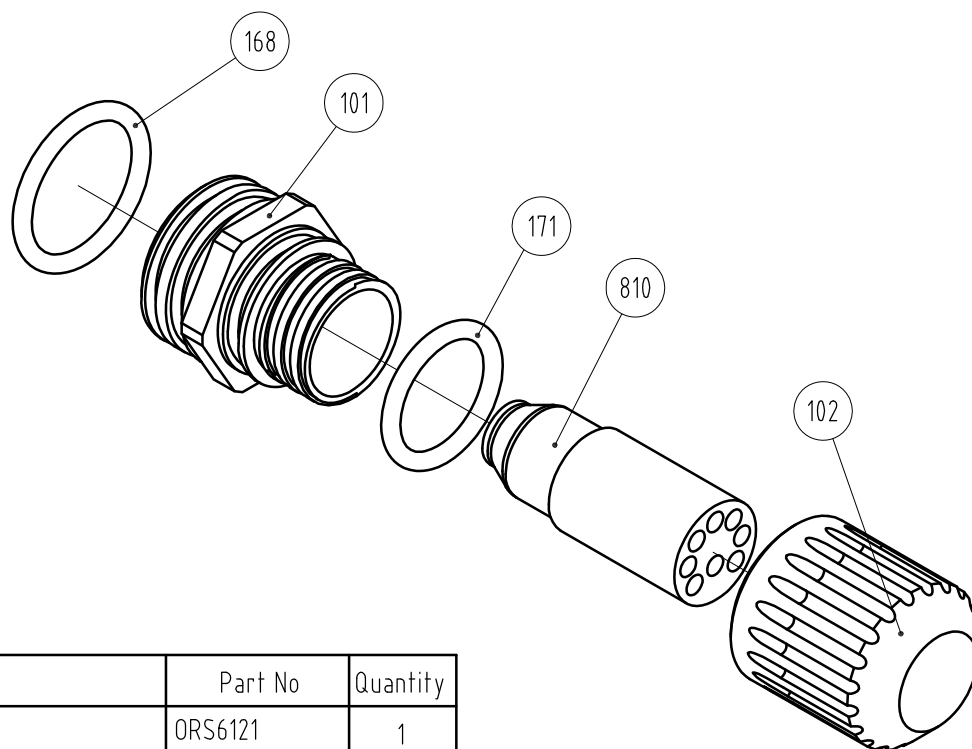
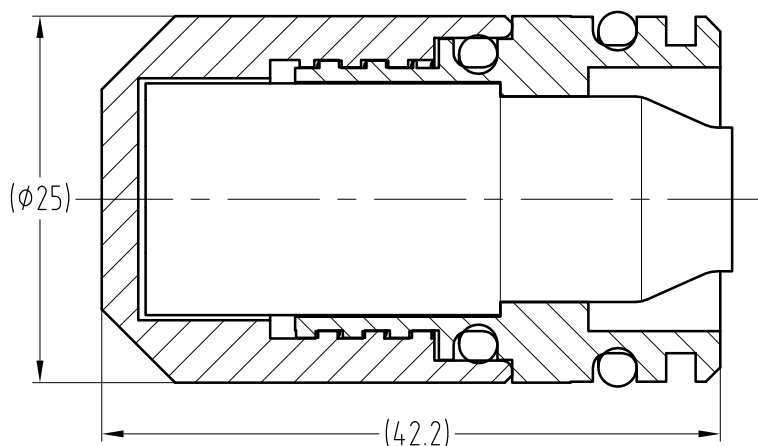


1

2

3

4



Pos. No	Title	Part No	Quantity
101	PFD SHELL	ORS6121	1
102	PFD CAP	ORS6122	1
169	O-RING BS115		1
170	O-RING BS117		1
810	MCIL8F MINI CONNECTOR		1

Units of measurement

Mass 0,06 kg

Material

Quantity SEE BOM

Tolerances

Surface roughness

Surface treatment

Format

ISO A4

Designed by

A.KUDRIASHOV

Changed by

-

Approved by - date

-

Filename

ORS6120A.dwg

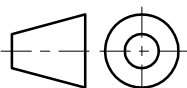
Date

05.02.09

Scale

2:1

Projection



DEEP LIFE LTD

Strictly Commercial-in-Confidence,  
copyright (c) 2008. Copying prohibited  
except as provided for under written  
contract with Deep Life Ltd.



Title/Name

ASSY OF SRB PFD CONNECTOR

Drawing number

ORS6120

Edition

A

Sheet(s)

1(1)

1

4