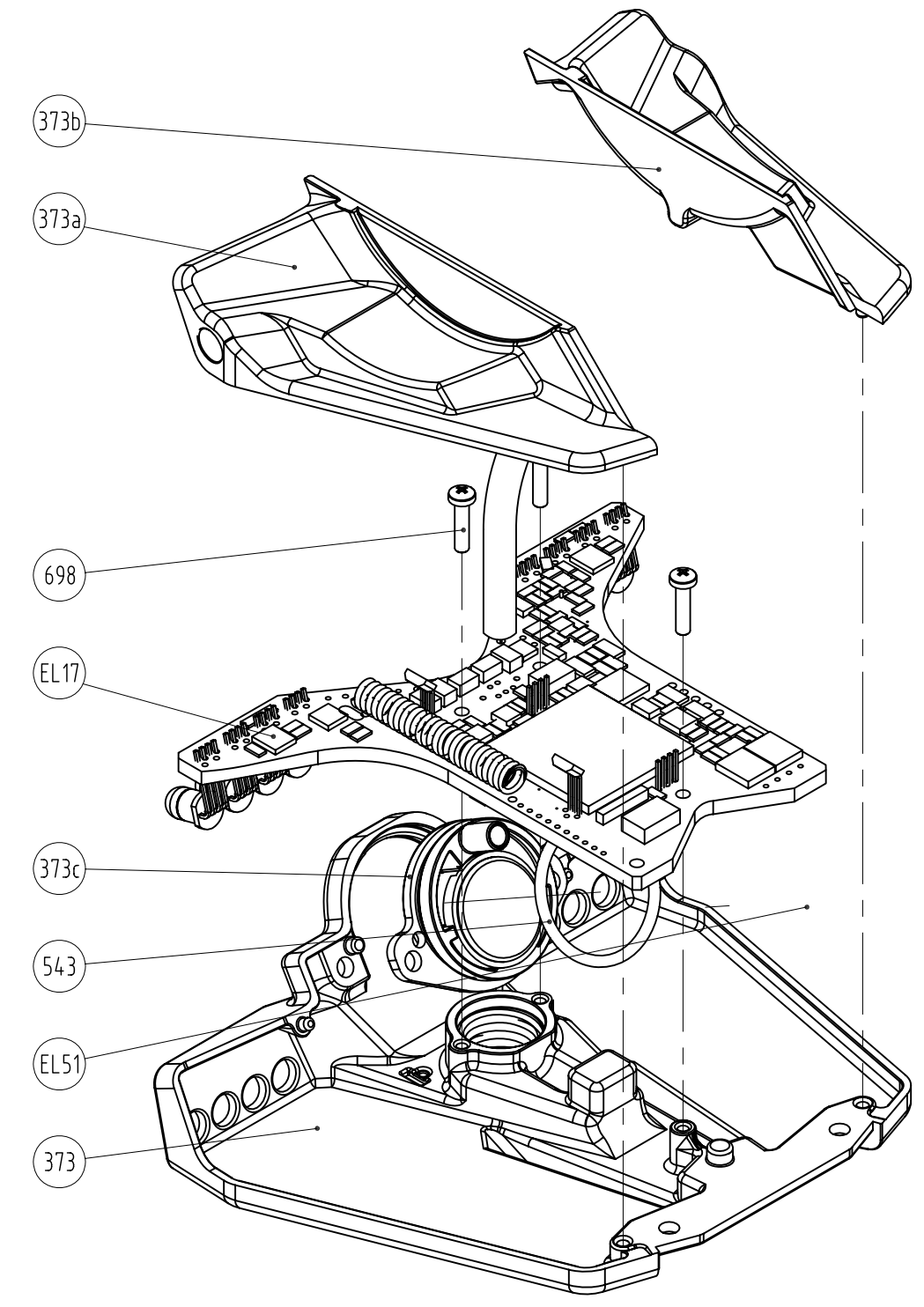
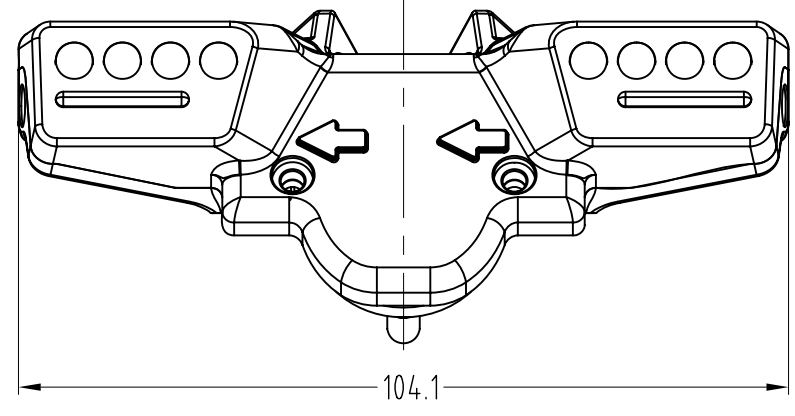
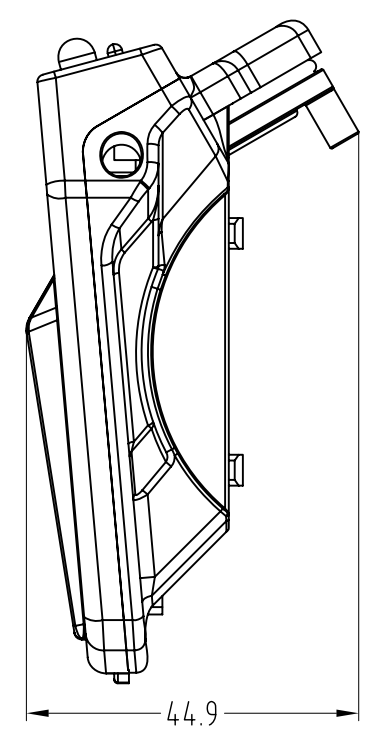
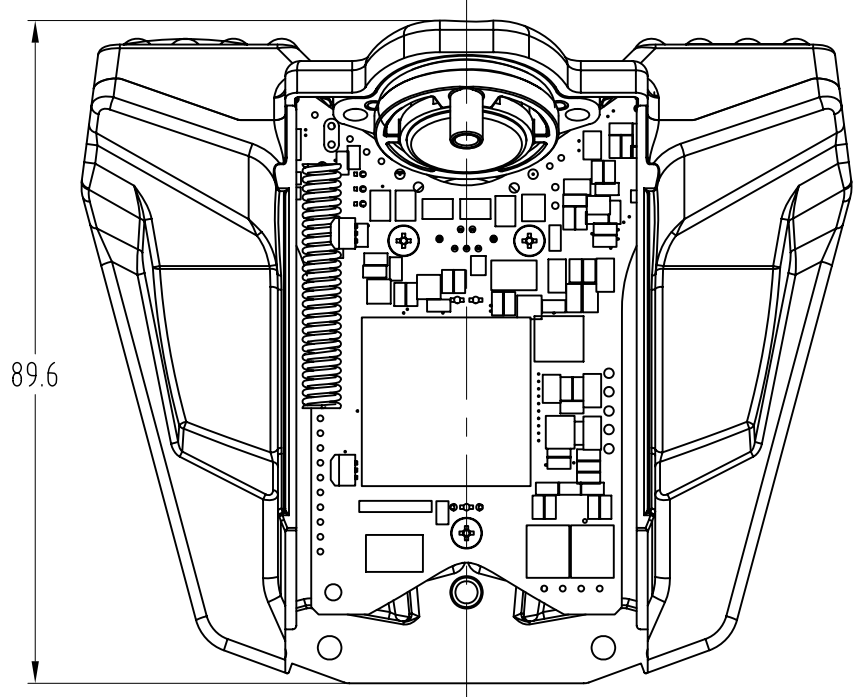


A

B

C

D



A

B

C

D

E

E

Pos. No	Title	Part No	Quantity
373	PFD Housing	ORS6151	1
373a	PFD Left Wall	ORS6152	1
373b	PFD Right Wall	ORS6153	1
373c	PFD Speaker Holder	ORS6156	1
515	Scotchcast 2130		0,1kg
543	O-Ring BS019		1
698	Pan head Self-tapping Screw Pz No.2x9,5 mm		3
EL51	ALVBOV Speaker		1
EL17	ALVBOV PFD (albov_pfd_a)		1

NOTES

n1. Fill the cavity of the PFD Housing pos.373 with Scotchcast pos. 515 and put the Left and Right Walls pos'ns 373a, 373b in places.

F

F

Units of measurement	mm UNLESS OTHERWISE STATED	Mass	Format	ISO A3	Designed by	A.KUDRIASHOV	Changed by	-	Approved by - date	A.BOGATCHEV	Filename	ORS6100A.dwg	Date	03.06.2009	Scale	1:1
Material			Projection		DEEP LIFE LTD Strictly Commercial-in-Confidence, copyright (c) 2009. Copying prohibited except as provided for under written contract with Deep Life Ltd.					Title/Name ASSY OF PFDR						
Quantity	SEE BOM					Drawing number ORS6100		Edition A		Sheet(s) 1(1)						