

1

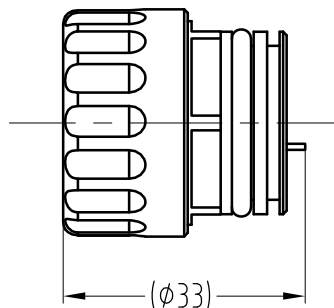
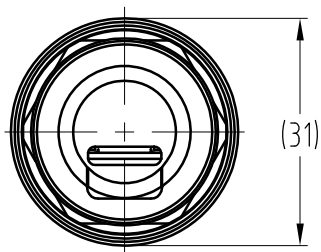
2

3

4

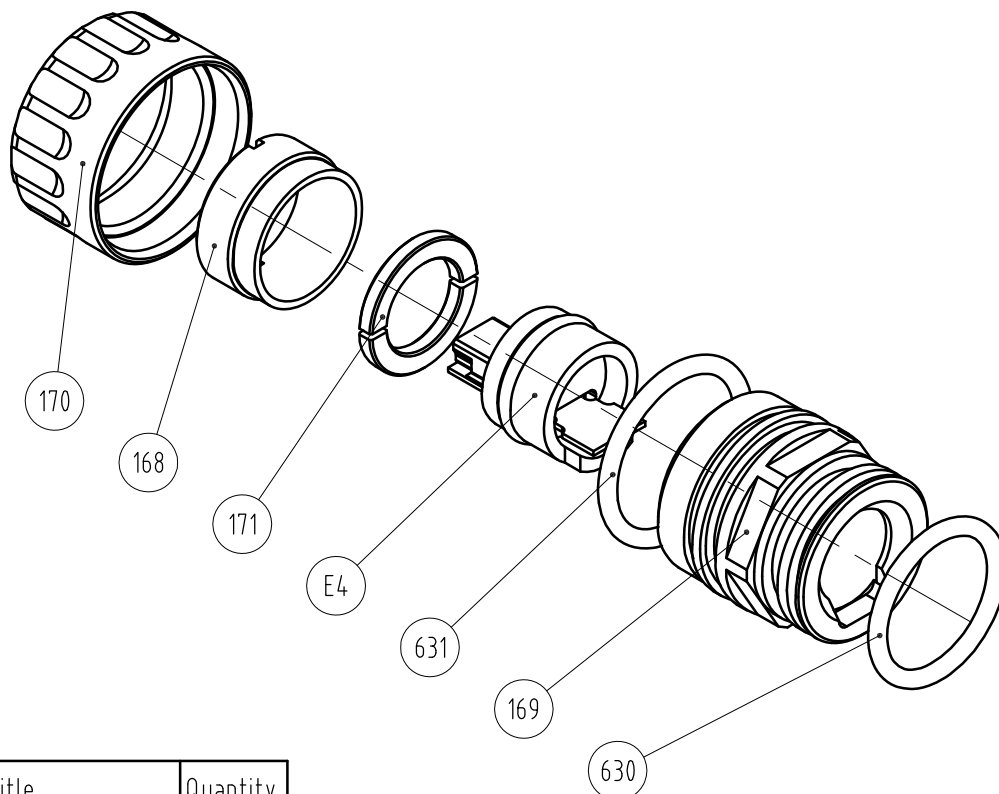
F

F



E

E



D

D

C

C

Pos. No	Title	Quantity
E4	Port Insert	1
168	USB PORT NUT	1
169	USB PORT BODY	1
170	USB PORT CAP	1
171	USB PORT RING	1
630	O-RING BS117	1
631	O-RING BS119	1

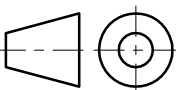

B

B

Units of measurement		Mass	0,09 kg
Material			
Quantity	SEE BOM		
Tolerances			
Surface roughness			
Surface treatment			

A

A

Format ISO A4	Designed by A.KUDRIASHOV	Changed by -	Approved by - date -	Filename ORS3600A.dwg	Date 19.01.09	Scale 1:1
Projection 	DEEP LIFE LTD Strictly Commercial-in-Confidence, copyright (c) 2008. Copying prohibited except as provided for under written contract with Deep Life Ltd.			Title/Name ASSY OF USB/NOKIA FT		Drawing number ORS3600
				Edition A	Sheet(s) 1(1)	

1

4