

1

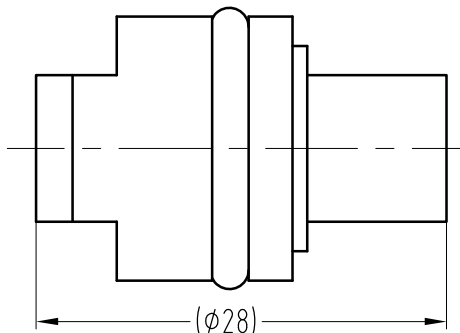
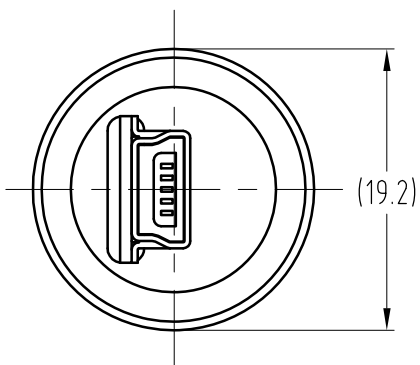
2

3

4

F

F

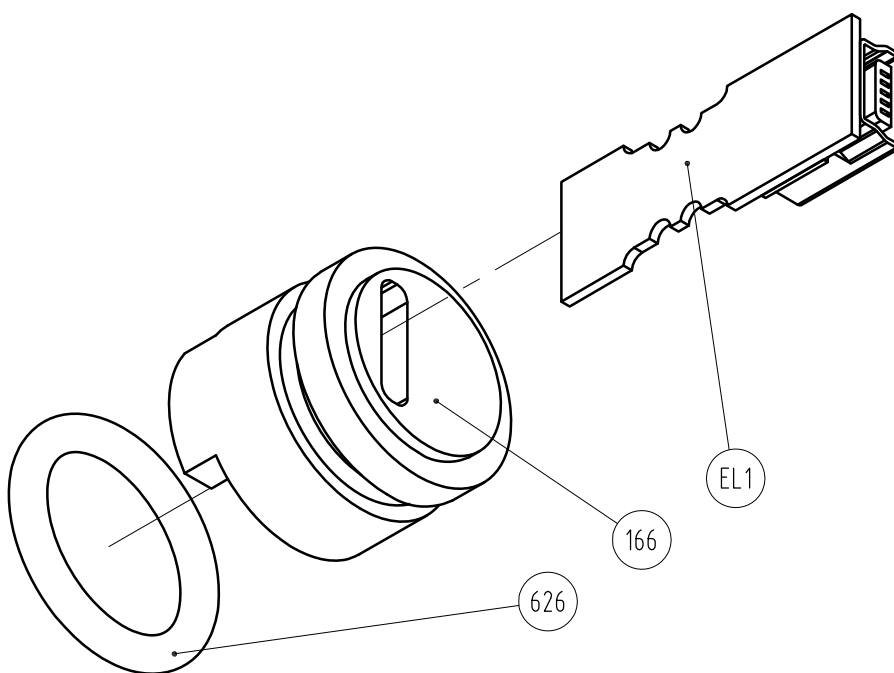


E

E

D

D



C

C

B

B

Pos. No	Title	Quantity
EL1	mini USB PCB	1
166	PORT INSERT	1
626	O-RING BS113	1

Units of measurement: Mass 0,005 kg

Material:

Quantity: SEE BOM

Tolerances:

Surface roughness:

Surface treatment:

A

A

Format ISO A4	Designed by A.KUDRIASHOV	Changed by -	Approved by - date -	Filename ORS3400UA.dwg	Date 19.01.09	Scale 2:1
Projection 			DEEP LIFE LTD Strictly Commercial-in-Confidence, copyright (c) 2008. Copying prohibited except as provided for under written contract with Deep Life Ltd.			
Title/Name ASSY OF USB/NOKIA FT INSERT				Drawing number ORS3400U		Edition A
				Sheet(s) 1(1)		

1

4