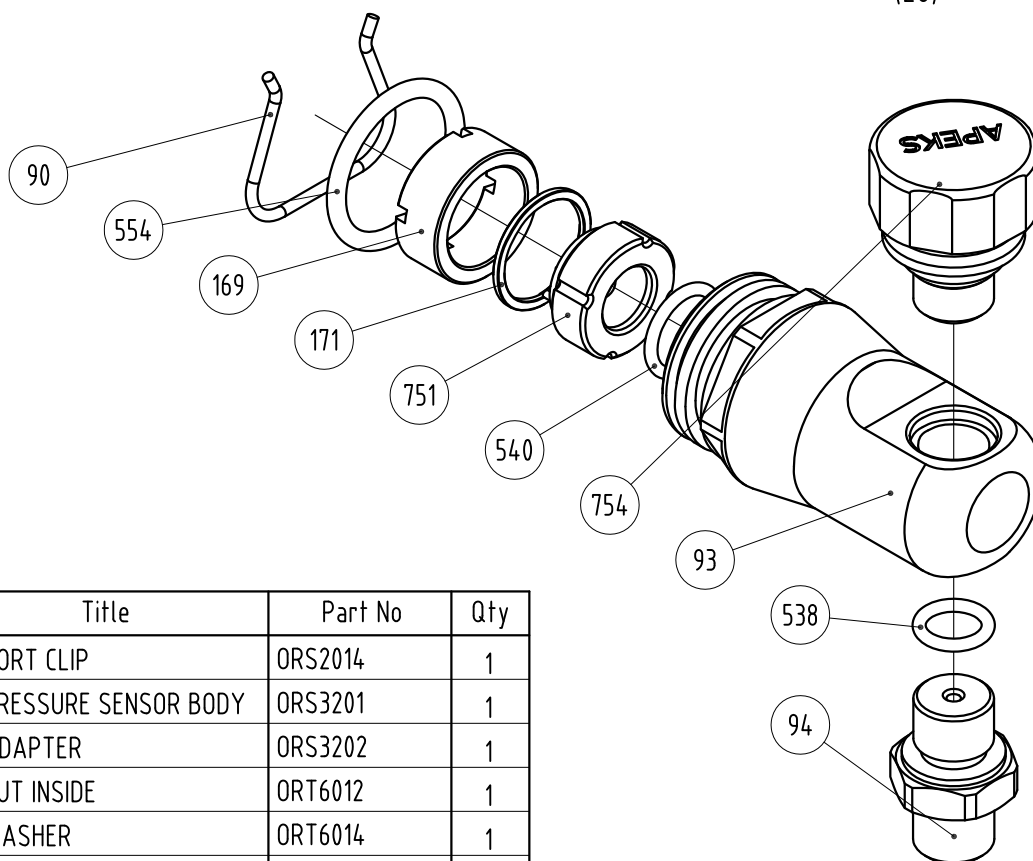
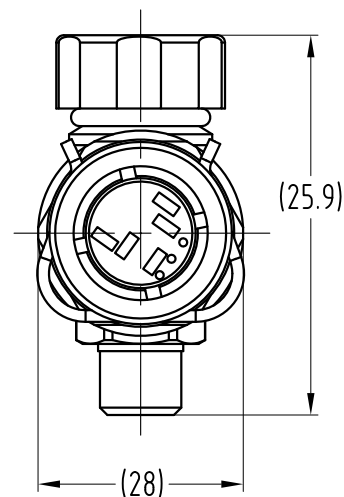
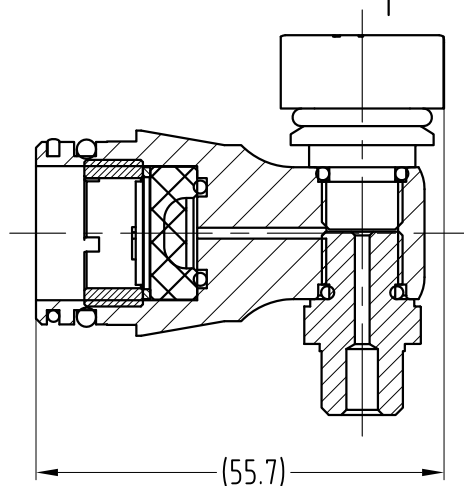


1

2

3

4



Pos. No	Title	Part No	Qty
90	PORT CLIP	ORS2014	1
93	PRESSURE SENSOR BODY	ORS3201	1
94	ADAPTER	ORS3202	1
169	NUT INSIDE	ORT6012	1
171	WASHER	ORT6014	1
538	O-RING BS011		1
540	O-RING BS013		1
554	O-RING BS117		1
751	Pressure Sensor 400bar		1
754	Pressure Gauge		1

Units of measurement

Mass 0,078 kg

Material

Quantity SEE BOM

Tolerances

Surface roughness

Surface treatment

Format

ISO A4

Designed by

A.KUDRIASHOV

Changed by

-

Approved by - date

-

Filename

ORS3200A2.dwg

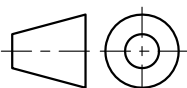
Date

19.01.09

Scale

2:1

Projection



DEEP LIFE LTD

Strictly Commercial-in-Confidence,
copyright (c) 2008. Copying prohibited
except as provided for under written
contract with Deep Life Ltd.



Title/Name

ASSY OF PRESSURE SENSOR

Drawing number

ORS3200

Edition

A2

Sheet(s)

1(1)

1

4