

1

2

3

4

F

F

E

E

D

D

C

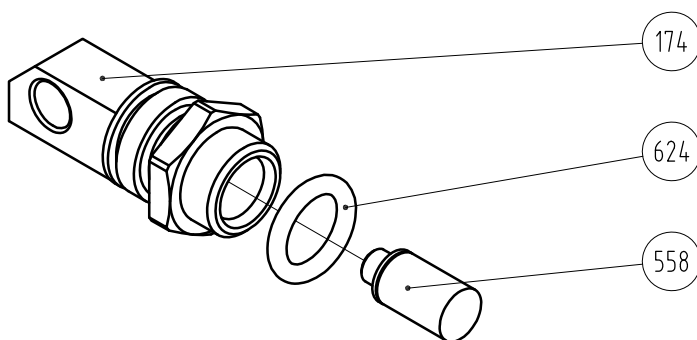
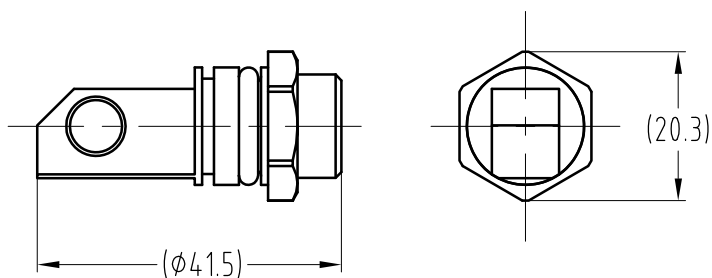
C

B

B

A

A



Pos. No	Title	Quantity
174	INJECTOR PORT	1
558	SILENCER	1
624	O-RING BS111	1

Units of measurement

Mass 0,04 kg

Material

Quantity SEE BOM

Tolerances

Surface roughness

Surface treatment

Format

ISO A4

Designed by

A.KUDRIASHOV

Changed by

-

Approved by - date

-

Filename

ORS2700A.dwg

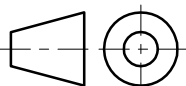
Date

19.01.09

Scale

1:1

Projection



DEEP LIFE LTD

Strictly Commercial-in-Confidence,
copyright (c) 2008. Copying prohibited
except as provided for under written
contract with Deep Life Ltd.



Title/Name

ASSY OF 02 T-PIECE

Drawing number

ORS2700

Edition

A

Sheet(s)

1(1)

1

4