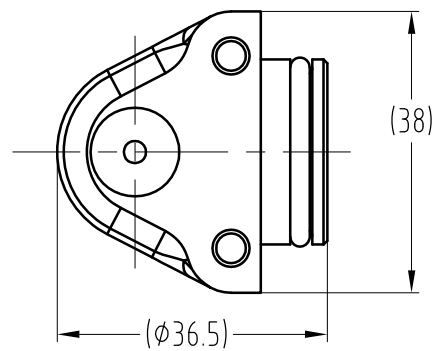
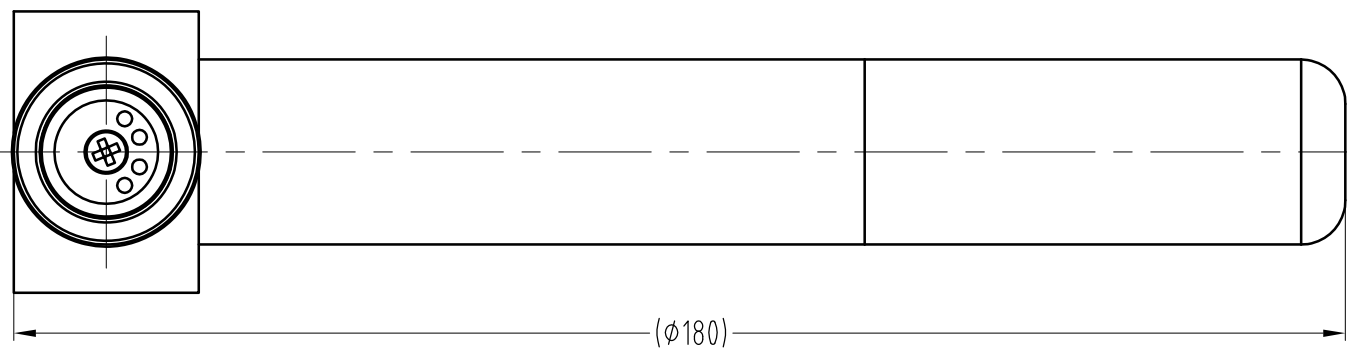


1 2 3 4 5 6 7 8

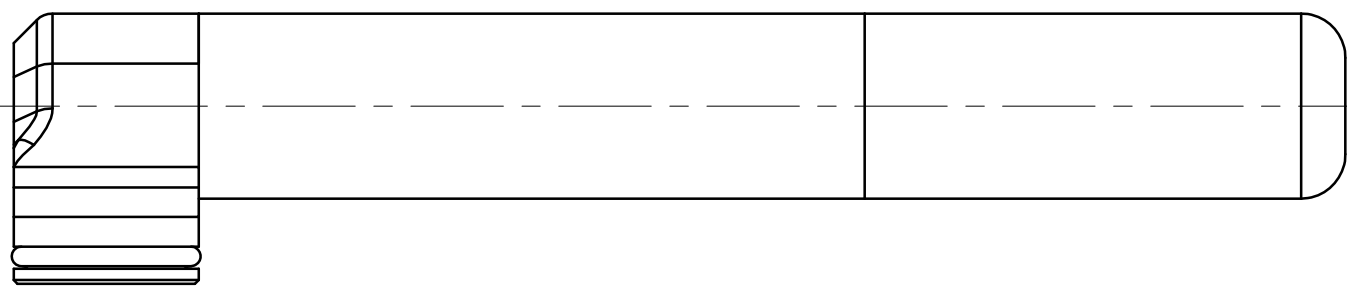
A

A



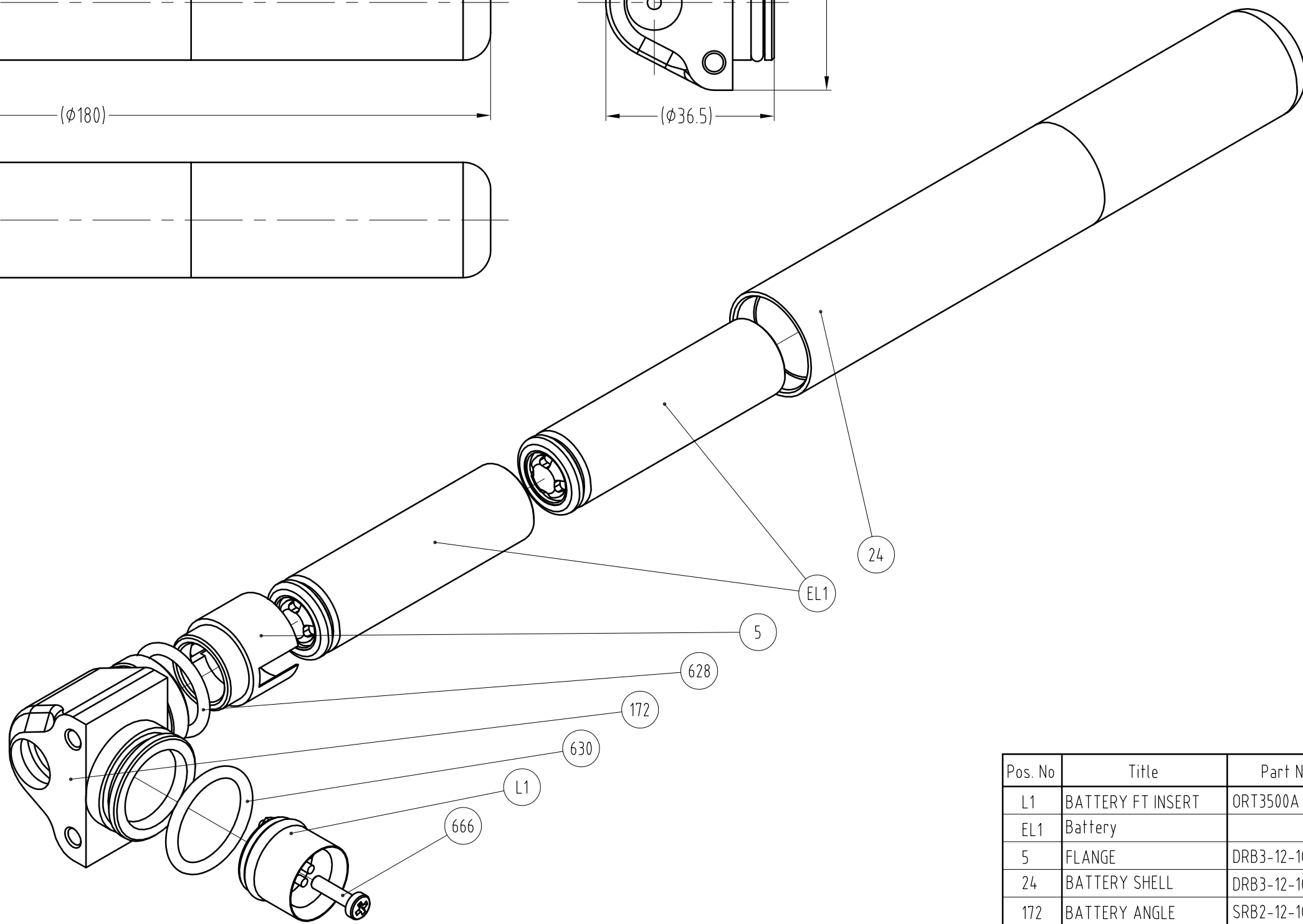
B

B



C

C



D

D

E

E

NOTES
n1. Lubricate all O-Rings with O2 compatible grease before assembling.

Pos. No	Title	Part No	Quantity
L1	BATTERY FT INSERT	ORT3500A	1
EL1	Battery		1
5	FLANGE	DRB3-12-1054	1
24	BATTERY SHELL	DRB3-12-1075	1
172	BATTERY ANGLE	SRB2-12-1031	1
628	O-Ring BS115		1
630	O-Ring BS117		1
666	Screw M2.5x12		1

F

F

Units of measurement	mm UNLESS OTHERWISE STATED	Mass	0,4 kg	Format	ISO A3	Designed by	A.KUDRIASHOV	Changed by	-	Approved by - date	A.BOGATCHEV	Filename	ORS2500A.dwg	Date	19.01.2009	Scale	1:1
Material				Projection		DEEP LIFE LTD				Title/Name ASSY OF SRB BATTERY CONTAINER							
Quantity	SEE BOM					Strictly Commercial-in-Confidence, copyright (c) 2007. Copying prohibited except as provided for under written contract with Deep Life Ltd.				Drawing number	ORS2500	Edition	A	Sheet(s)	1(1)		
Tolerances																	
Surface roughness																	
Surface treatment																	

1 2 7 8