

1 2 3 4 5 6 7 8

A

B

C

D

E

F

A

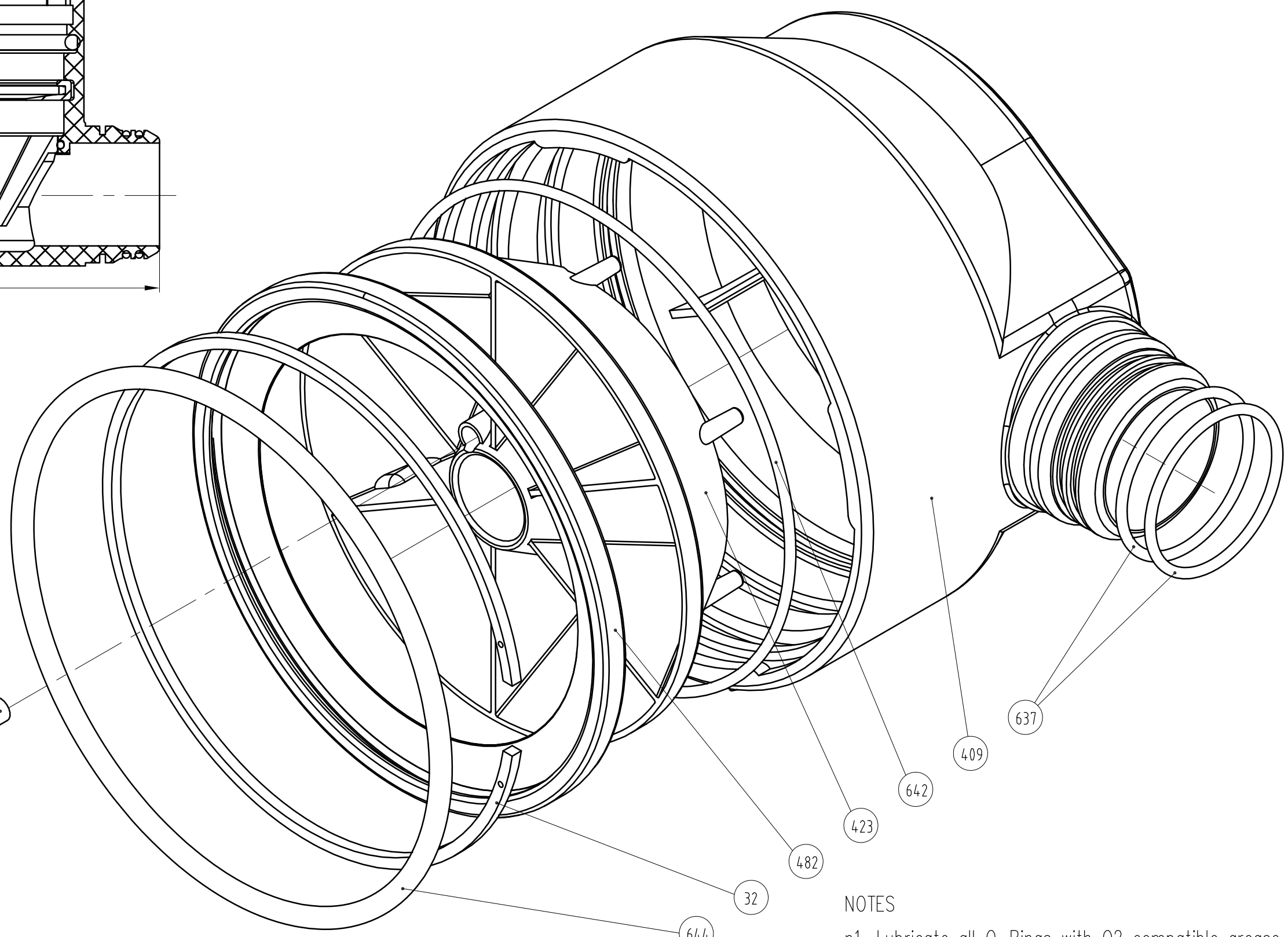
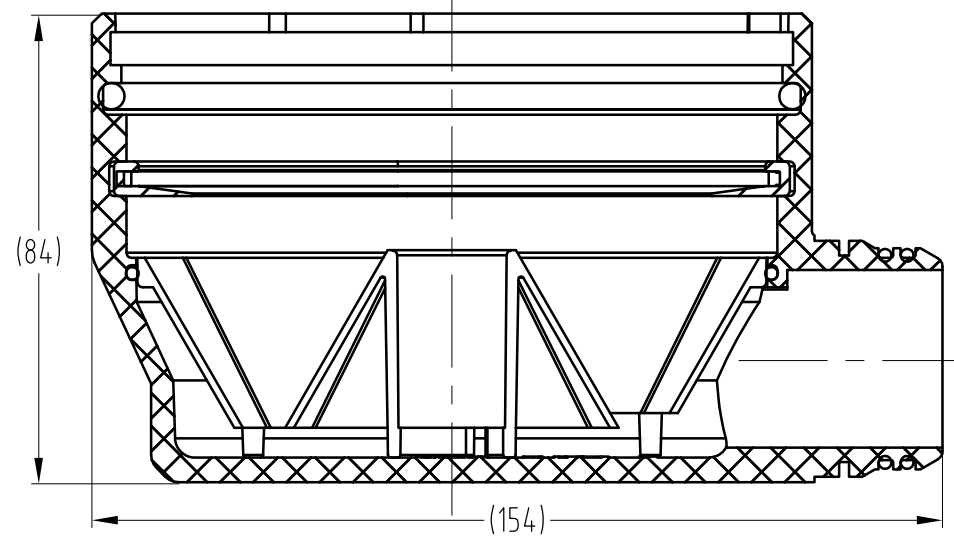
B

C

D

E

F



Pos. No	Title	Part No	Quantity
32	RING 2	DRB3-12-1085A	1
409	SRB BOTTOM CUP	ORS2103A4	1
423	FLOW CONE	ORT2102A2	1
482	EAC-D125-SEAL	DRB7502A	1
552	MAGNET D6		1
637	O-RING BS129		2
642	O-RING BS160		1
644	O-RING BS335		1

NOTES

n1. Lubricate all O-Rings with O2 compatible grease before assembling.

Units of measurement	mm UNLESS OTHERWISE STATED	Mass	Format	ISO A3	Designed by	A.KUDRIASHOV	Changed by	-	Approved by - date	A.BOGATCHEV	Filename	ORS2100A.dwg	Date	08.10.2007	Scale	1:1	
Material																	
Quantity	SEE BOM																
Tolerances																	
Surface roughness																	
Surface treatment																	
												<b>DEEP LIFE LTD</b> Strictly Commercial-in-Confidence, copyright (c) 2007. Copying prohibited except as provided for under written contract with Deep Life Ltd.				Title/Name <b>ASSY OF SRB BOTTOM CUP</b>	
										Drawing number <b>ORS2100</b>		Edition A		Sheet(s) 1(1)			

1 2 3 4 5 6 7 8