

4

3

2

1

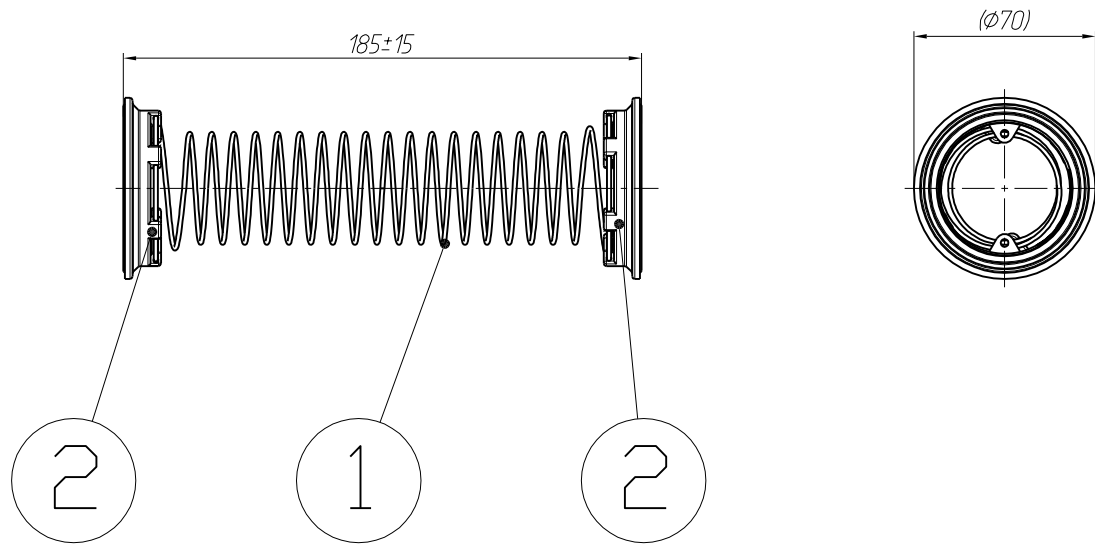
THESE DRAWINGS AND SPECIFICATIONS ARE THE PROPERTY OF DEEP LIFE LTD. AND SHALL NOT BE REPRODUCED, COPIED, OR USED AS THE BASIS FOR THE MANUFACTURE, OR SALE OF APPARATUS WITHOUT THE WRITTEN PERMISSION OF DEEP LIFE LTD.

REVISIONS

REV	DESCRIPTION	DATE	APPD

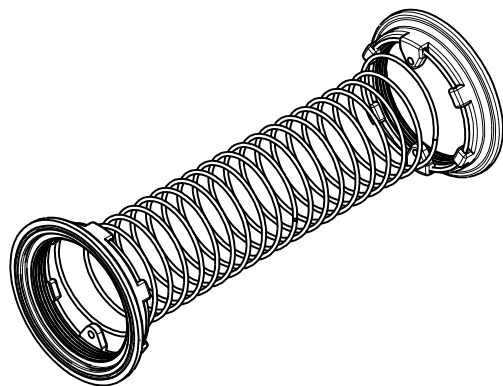
B

B



A

A



Item N	Title	Drawing/Part Number	Supplier Code	Material	Qty
1	SRB Exhale CL Spring	ORS1221	AA	SPRING SS STEEL AISI 316Ti	1
2	P-Connector Nut	RB162207	BA	BLACK POLYPROPYLENE	2

UNLESS OTHERWISE SPECIFIED:  
 DIMENSIONS ARE IN MM.  
 FIRST ANGLE PROJECTION.

	NAME	DATE
DRN	A.Bogachev	13-11-08
CHK	S.Belousov	13-11-08
ENG		
MFG		

**DEEP LIFE LTD.**

NEXT ASSY: **ORS1200**  
**Assy of SRB Exhale CL**

MATERIAL:  
  
 FINISH:

TITLE  
**Assy of SRB EXHALE CL SPRING**

SIZE	DRG NUMBER	REV.
ISO A3	<b>ORS1220</b>	<b>A</b>
SCALE 1:2		SHEET 1 OF 1
FILE NAME ORS1220A.dwg		

4

3

2

1