

4

3

2

1

THESE DRAWINGS AND SPECIFICATIONS ARE THE PROPERTY OF DEEP LIFE LTD. AND SHALL NOT BE REPRODUCED, COPIED, OR USED AS THE BASIS FOR THE MANUFACTURE, OR SALE OF APPARATUS WITHOUT THE WRITTEN PERMISSION OF DEEP LIFE LTD.

REVISIONS

REV	DESCRIPTION	DATE	APPD

Welded joint

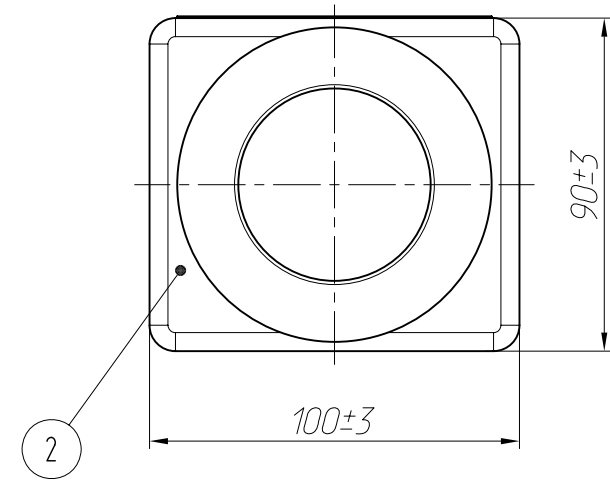
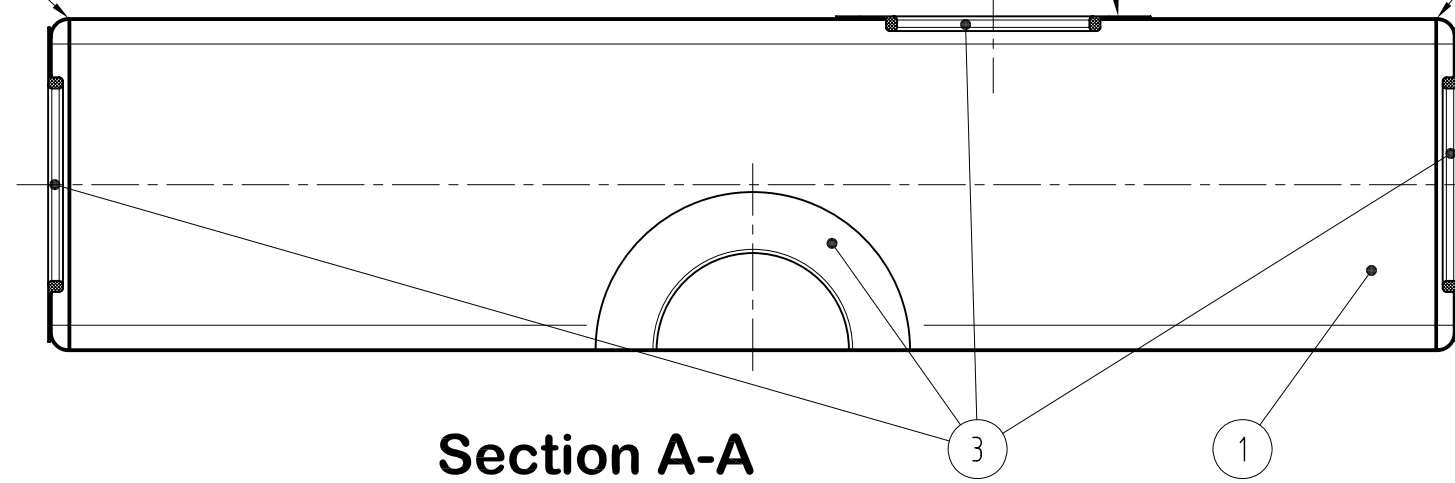
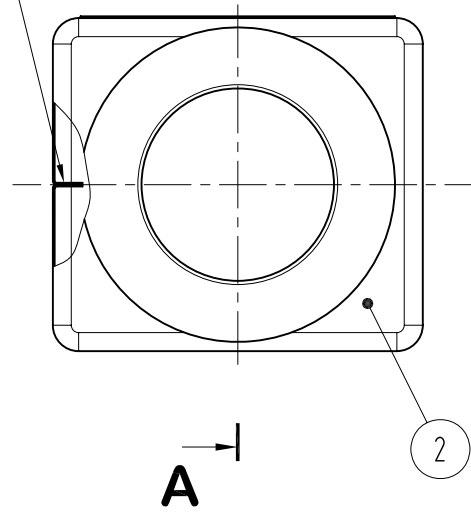
A

Welded joint

Welded joint

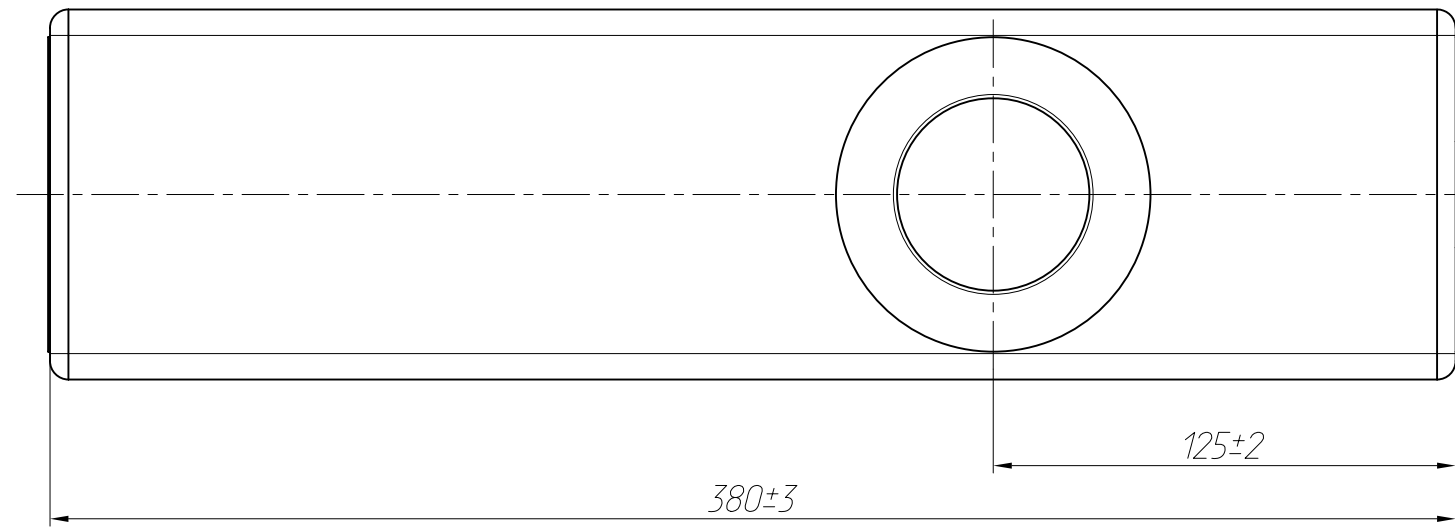
Welded joint

B

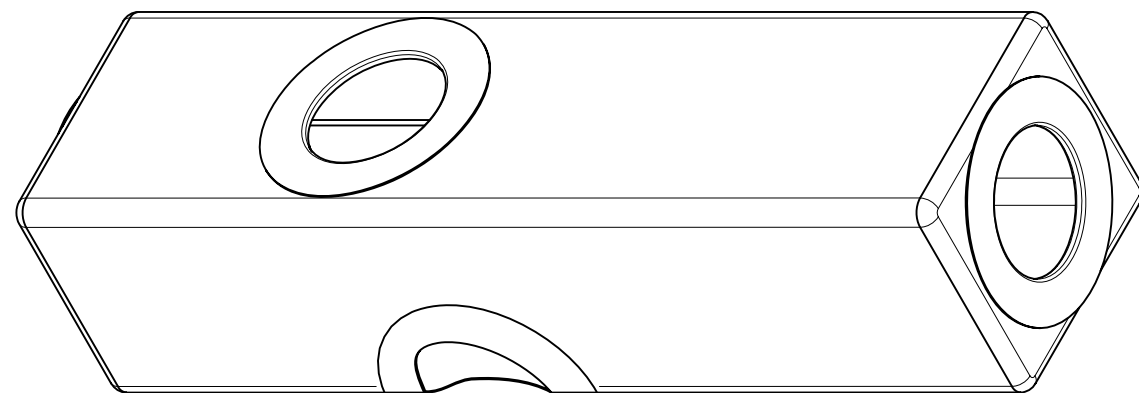


B

Section A-A



A



A

Item N	Title	Drawing/Part Number	Supplier Code	Material	Qty
1	SRB Exhale CL Bag Dev.	ORS1211	TA	Black TPU 0.6mm Water resistant	1
2	SRB Exhale CL Insert	ORS1212	TA	Black TPU 0.6mm Water resistant	2
3	Port Reinforcing Ring	DLL-70106	MA	Black TPU	4

UNLESS OTHERWISE SPECIFIED:  
DIMENSIONS ARE IN MM.  
FIRST ANGLE PROJECTION.

	NAME	DATE
DRN	A.Bogachev	21-12-08
CHK	S.Belousov	21-12-08
ENG		
MFG		

Safeguarding lives  
**DEEP LIFE LTD.**

NEXT ASSY:  
ORS1200  
Assy of SRB Exhale CL

MATERIAL:  
  
FINISH:

TITLE ASSY of SRB EXHALE CL BAG		
SIZE ISD A3	DRG NUMBER ORS1210	REV. C
SCALE 1:2		SHEET 1 OF 1
FILE NAME ORS1210C.dwg		

4

3

2

1