

4

3

2

REVISIONS

THESE DRAWINGS AND SPECIFICATIONS ARE THE PROPERTY OF DEEP LIFE LTD. AND SHALL NOT BE REPRODUCED, COPIED, OR USED AS THE BASIS FOR THE MANUFACTURE, OR SALE OF APPARATUS WITHOUT THE WRITTEN PERMISSION OF DEEP LIFE LTD.

REV	DESCRIPTION	DATE	APPD
B	Assy of CL Water Dump update	08.06.09	

D

D

C

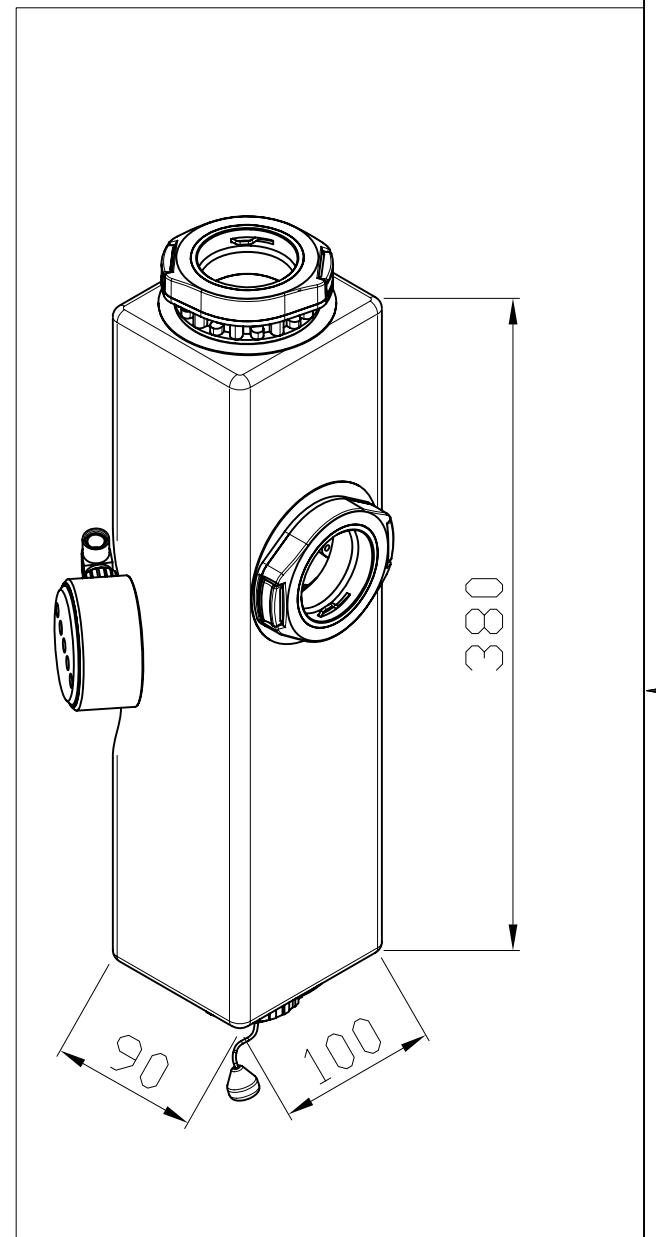
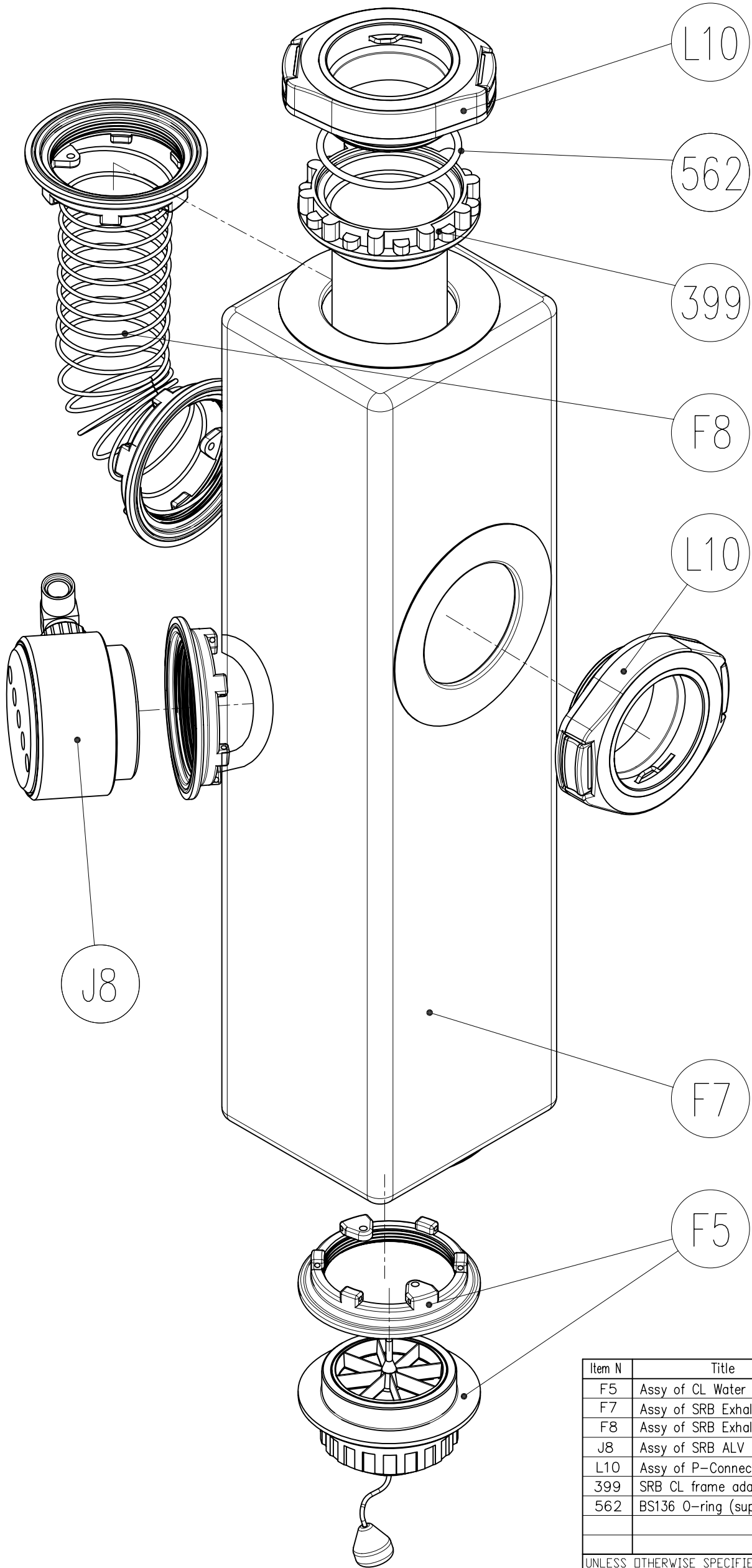
C

B

B

A

A



Item N	Title	Drawing/Part Number	Supplier Code	Material	Qty
F5	Assy of CL Water Dump	ORS1130			1
F7	Assy of SRB Exhale CL bag	ORS1210			1
F8	Assy of SRB Exhale CL Spring	ORS1220			1
J8	Assy of SRB ALV	ORS6280			1
L10	Assy of P-Connector	ORT3000			2
399	SRB CL frame adaptor	ORS7043	BA	BLACK ABS	1
562	BS136 O-ring (supplied part)	BS136EPDM60	BCL	Black EPDM	1

NOTES:

n1. APPLY SMALL AMOUNT OF OXYGEN-COMPATIBLE GREASE ONTO ALL THREADED SURFACES AND O-RINGS.

UNLESS OTHERWISE SPECIFIED: DIMENSIONS ARE IN MM. FIRST ANGLE PROJECTION.

	NAME	DATE
DRN	A.Bogachev	13-11-09
CHK	S.Belousov	13-11-09
ENG		
MFG		

DEEP LIFE LTD.

TITLE: **ASSY of SRB Exhale Counterlung**

NEXT ASSY: ORM0000, ORM0050, ORM0100, ORM0150, ORS0000, ORS0050

MATERIAL:	
FINISH:	

SIZE ISD A2	DRG NUMBER ORS1200	REV. C
SCALE -	SHEET 1 OF 1	
FILE NAME ORS1200B1.dwg		

4

3

2