

4

3

2

1

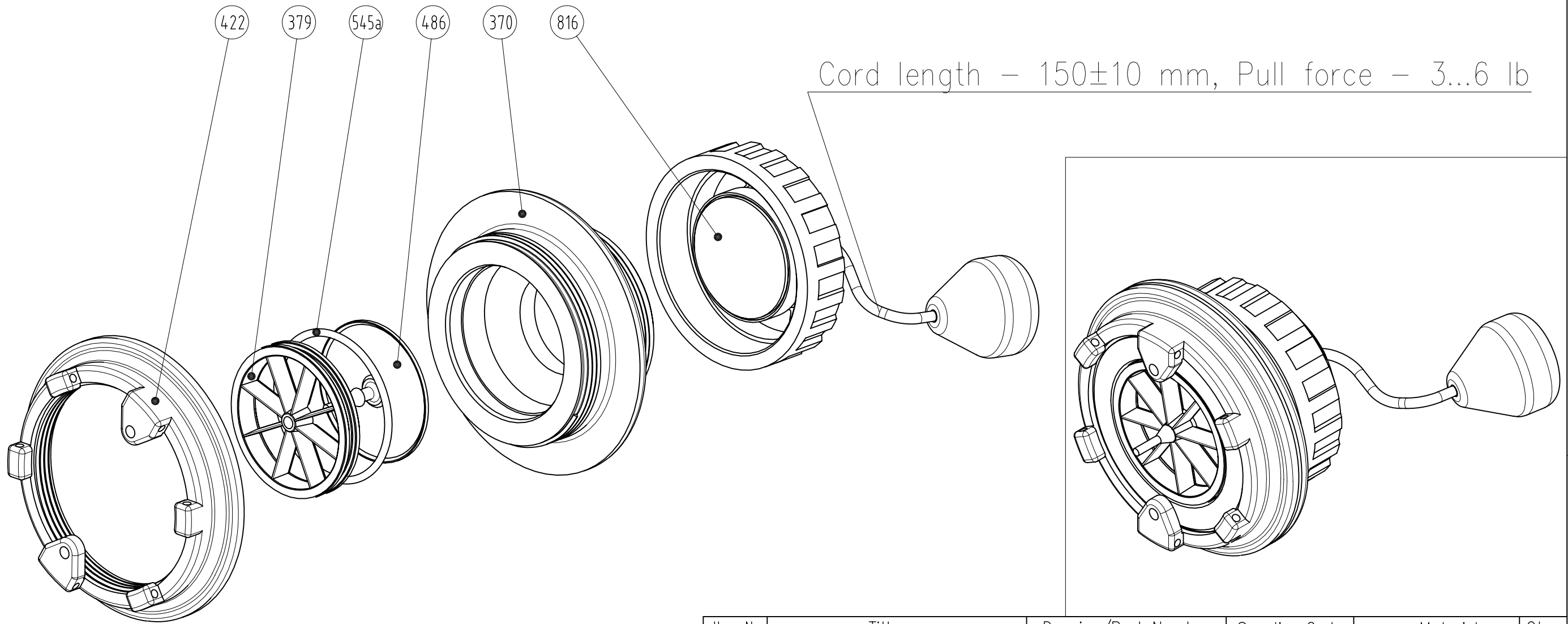
THESE DRAWINGS AND SPECIFICATIONS ARE THE PROPERTY OF DEEP LIFE LTD. AND SHALL NOT BE REPRODUCED, COPIED, OR USED AS THE BASIS FOR THE MANUFACTURE, OR SALE OF APPARATUS WITHOUT THE WRITTEN PERMISSION OF DEEP LIFE LTD.

REVISIONS

REV	DESCRIPTION	DATE	APPD
B	A separate mushroom spider was added	08.06.09	
B1	Item numbers was adjusted in accordance with BOM numbers	10.12.09	

B

B



A

A

Item N	Title	Drawing/Part Number	Supplier Code	Material	Qty
816	Sheico BCD Pull Dump Top	HYB-30	Sheico		1
370	CL Water Dump Body	ORS1131	BA	BLACK ASA	1
422	P-Connector Nut	RB162207	BA	BLACK POLYPROPYLENE	1
486	Mushroom D35	DRB-12-5004-02	MA	SILICONE, Shore 30A	1
379	ALVBOV Exhale Spider	ORS6216	BA	BLACK ASA	1
545a	O-ring BS027	BS027EPDM70	BCL	BLACK EPDM	1

UNLESS OTHERWISE SPECIFIED:  
 DIMENSIONS ARE IN MM.  
 FIRST ANGLE PROJECTION.

	NAME	DATE
DRN	A.Bogachev	10-12-08
CHK	S.Belousov	10-12-08
ENG		
MFG		

Safeguarding lives  
**DEEP LIFE LTD.**

NEXT ASSY:  
 ORS1100, ORS1200  
 Assy of SRB Inhale/Exhale CL

MATERIAL:  
  
 FINISH:

TITLE Assy of CL Water Dump		
SIZE ISO A3	DRG NUMBER ORS1130	REV. B1
SCALE 1:1		SHEET 1 OF 1
FILE NAME ORS1130B1.dwg		

4

3

2

1