

4

3

2

REVISIONS

THESE DRAWINGS AND SPECIFICATIONS ARE THE PROPERTY OF DEEP LIFE LTD. AND SHALL NOT BE REPRODUCED, COPIED, OR USED AS THE BASIS FOR THE MANUFACTURE, OR SALE OF APPARATUS WITHOUT THE WRITTEN PERMISSION OF DEEP LIFE LTD.

REV	DESCRIPTION	DATE	APPD
B	Assy of CL Water Dump update	08.06.09	

D

D

C

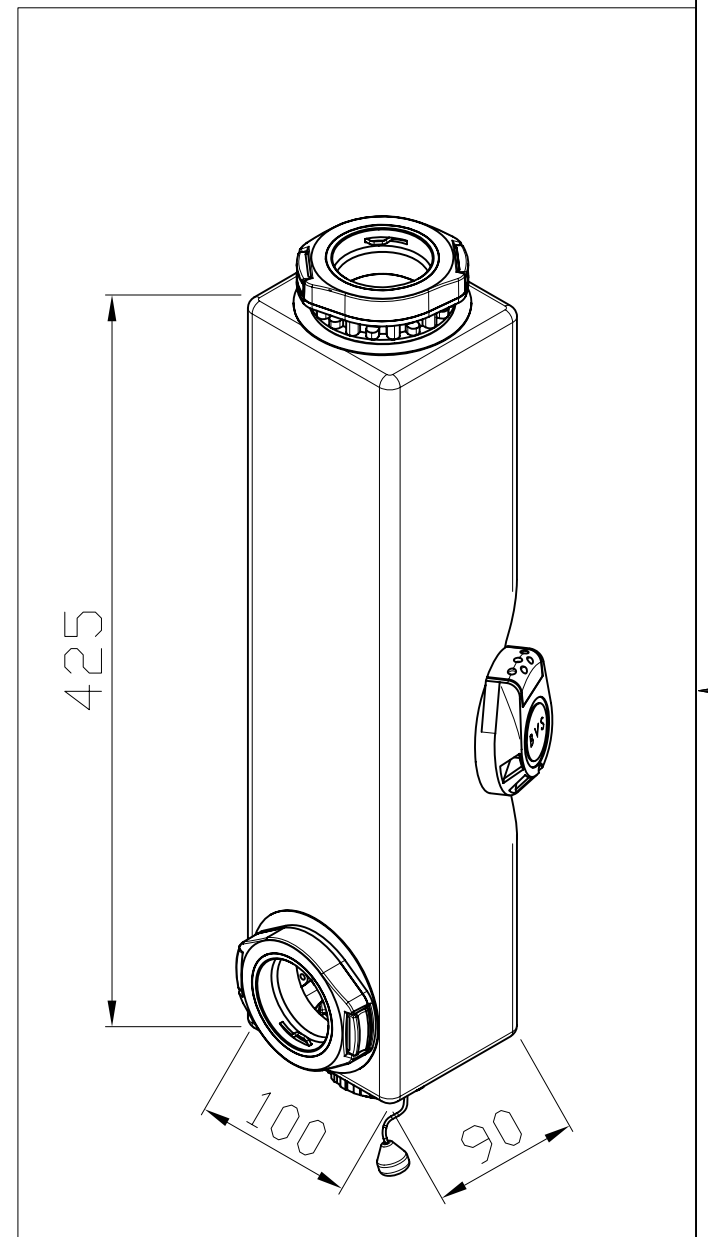
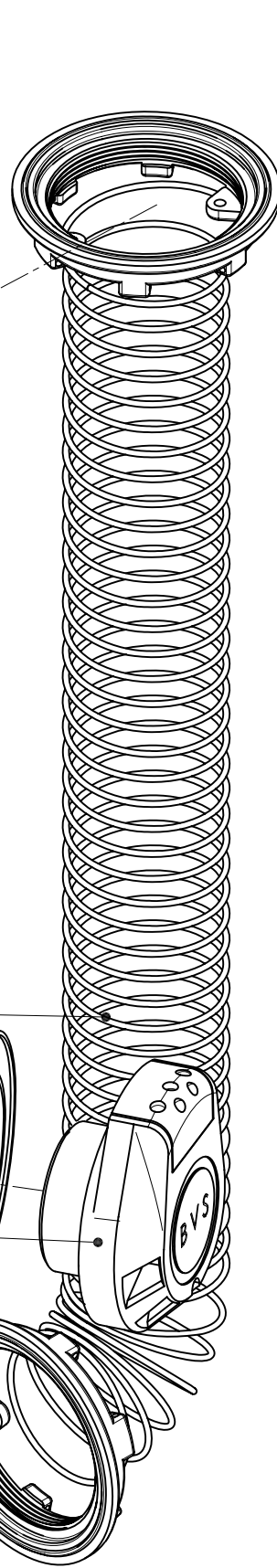
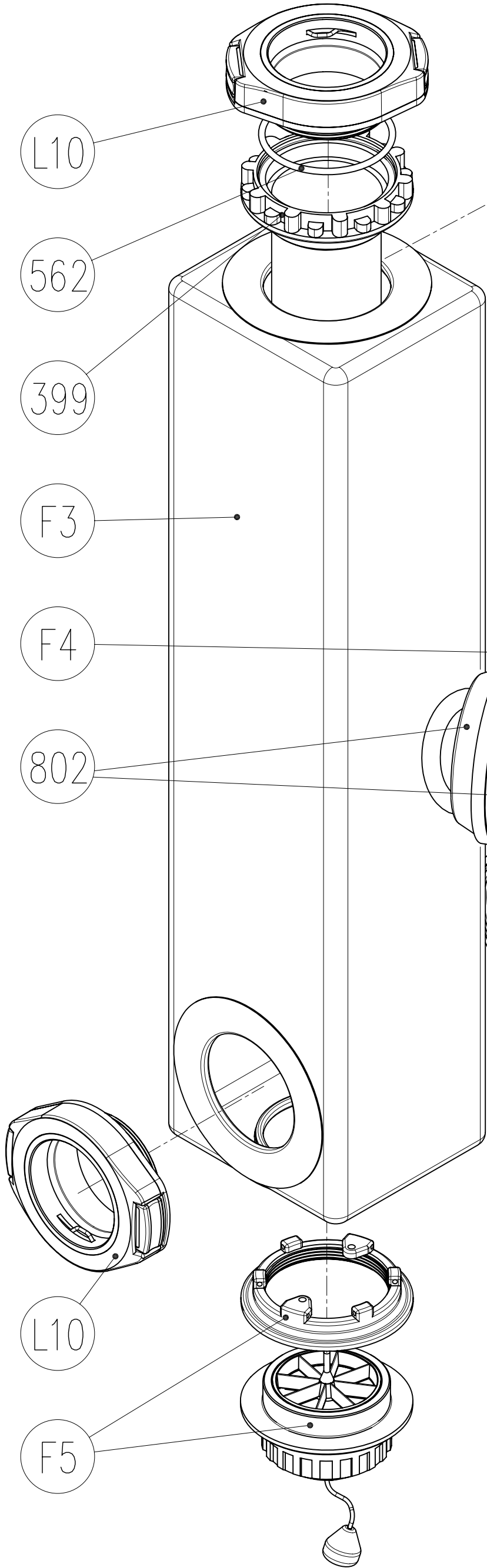
C

B

B

A

A



Item N	Title	Drawing/Part Number	Supplier Code	Material	Qty
F3	Assy of SRB Inhale CL bag	ORS1110			1
F4	Assy of SRB Inhale CL Spring	ORS1120			1
F5	Assy of CL Water Dump	ORS1130			1
L10	Assy of P-Connector	ORT3000			2
399	SRB CL frame adaptor	ORS7043	BA	BLACK ABS	1
562	BS136 O-ring (supplied part)	BS136EPDM60	BCL	Black EPDM	1
802	Over Pressure Valve (options, see BOM items No.802a-802c)				1

UNLESS OTHERWISE SPECIFIED:  
DIMENSIONS ARE IN MM.  
FIRST ANGLE PROJECTION.

NEXT ASSY:  
ORM0000, ORM0050, ORM0100,  
ORM0150, ORS0000, ORS0050

	NAME	DATE
DRN	A.Bogachev	13-11-09
CHK	S.Belousov	13-11-09
ENG		
MFG		

MATERIAL:

FINISH:

**DEEP LIFE LTD.**

TITLE: **ASSY of SRB Inhale Counterlung**

SIZE: ISD A2  
DRG NUMBER: **ORS1100**  
SCALE: -  
SHEET 1 OF 1

REV. **C**

FILE NAME: ORS1100C.dwg

NOTES:

n1. APPLY SMALL AMOUNT OF OXYGEN-COMPATIBLE GREASE ONTO ALL THREADED SURFACES AND O-RINGS.

4

3

2