

1

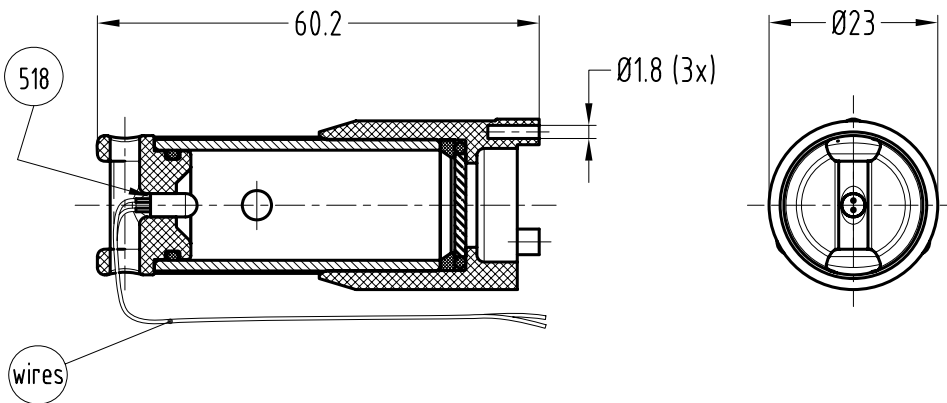
2

3

4

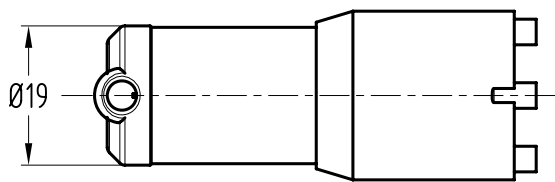
F

F



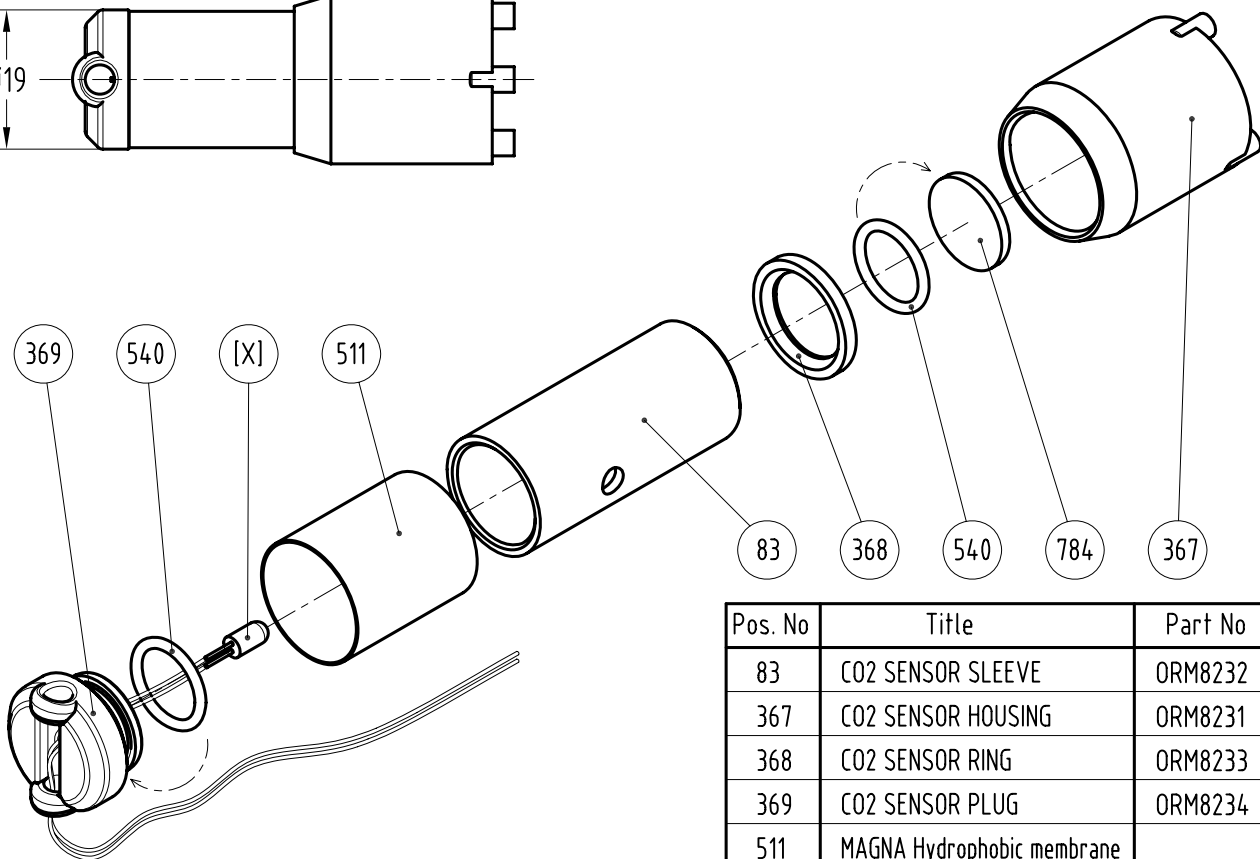
E

E



D

D



C

C

Pos. No	Title	Part No	Qty
83	CO2 SENSOR SLEEVE	ORM8232	1
367	CO2 SENSOR HOUSING	ORM8231	1
368	CO2 SENSOR RING	ORM8233	1
369	CO2 SENSOR PLUG	ORM8234	1
511	MAGNA Hydrophobic membrane		
513	Tribolube 71 grease		
518	Devcon 14260 Epoxy adhesive		
540	O-Ring BS013		2
784	Sapphire Circular Window	W15.00	1
[X]	Gilway T-1 Lamp	See CO2 EL BOM	1

B

B

NOTES

n1. Lubricate O-Rings with Tribolube 71 grease (pos.513) before assembling.

Units of measurement mm, UNLESS OTHERWISE STATED

Mass 0.035 kg

Material

Quantity

SEE BOM

Tolerances

Surface roughness

Surface treatment

Format
ISO A4

Designed by
S.Belousov

Changed by
—

Approved by – date
A.Bogatchev

Filename
ORM8230B.dwg

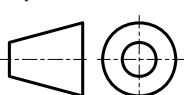
Date
19.10.09

Scale
1: 1

A

A

Projection



DEEP LIFE LTD

Strictly Commercial-in-Confidence,
copyright (c) 2009. Copying prohibited
except as provided for under written
contract with Deep Life Ltd.



Title/Name

ASSY OF CO2 SENSOR HOUSING

Drawing number

ORM8230

Edition
B

Sheet(s)
1(1)

1

4