

1

2

3

4

F

F

E

E

D

D

C

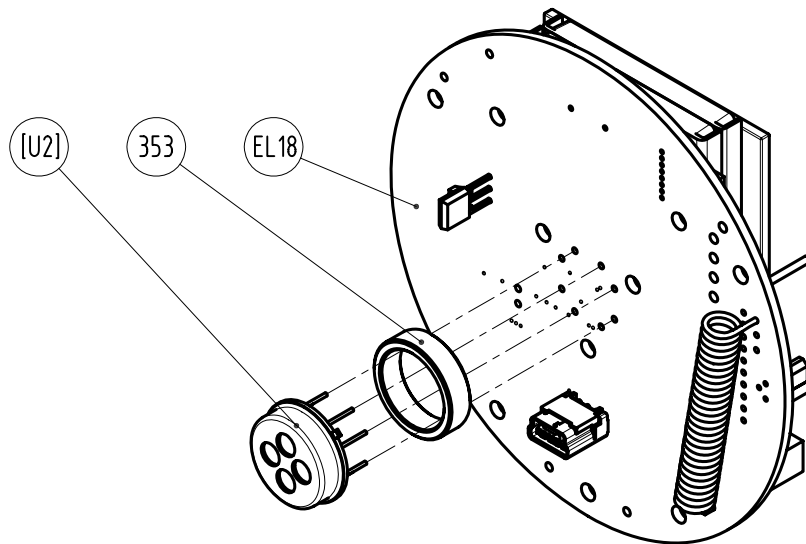
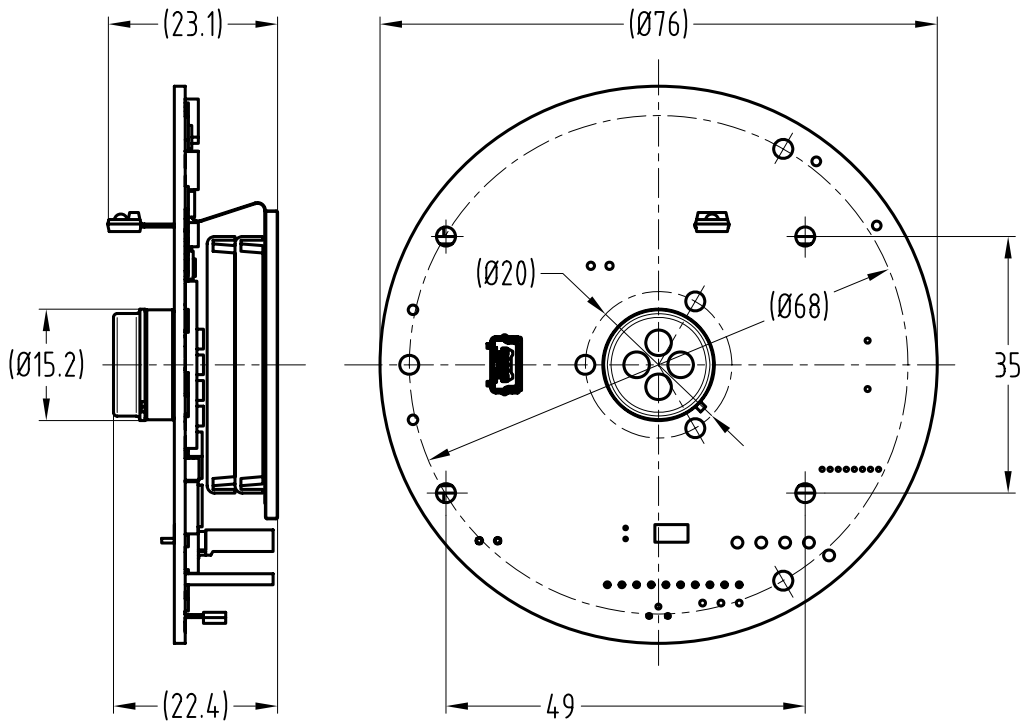
C

B

B

A

A



Pos. No	Title	Part No	Qty
EL18	CO2 MONITOR PCB	ORCO2MON_C3	1
[U2]	PYROELECTRIC DETECTOR LMM-242-DH	See CO2 EL BOM	1
353	SENSOR SUPPORT BUSH	ORM8008	1

Units of measurement	mm, UNLESS OTHERWISE STATED	Mass	0.043 kg
Material			
Quantity	SEE BOM		
Tolerances			
Surface roughness			
Surface treatment			

Format ISO A4	Designed by S.Belousov	Changed by —	Approved by – date A.Bogatchev	Filename ORM8220B.dwg	Date 19.10.09	Scale 1: 1
Projection 	<b>DEEP LIFE LTD</b> Strictly Commercial-in-Confidence, copyright (c) 2009. Copying prohibited except as provided for under written contract with Deep Life Ltd.			Title/Name <b>ASSY OF CO2 MONITOR PCB</b>		
Drawing number				<b>ORM8220</b>	Edition B	Sheet(s) 1(1)

1

4