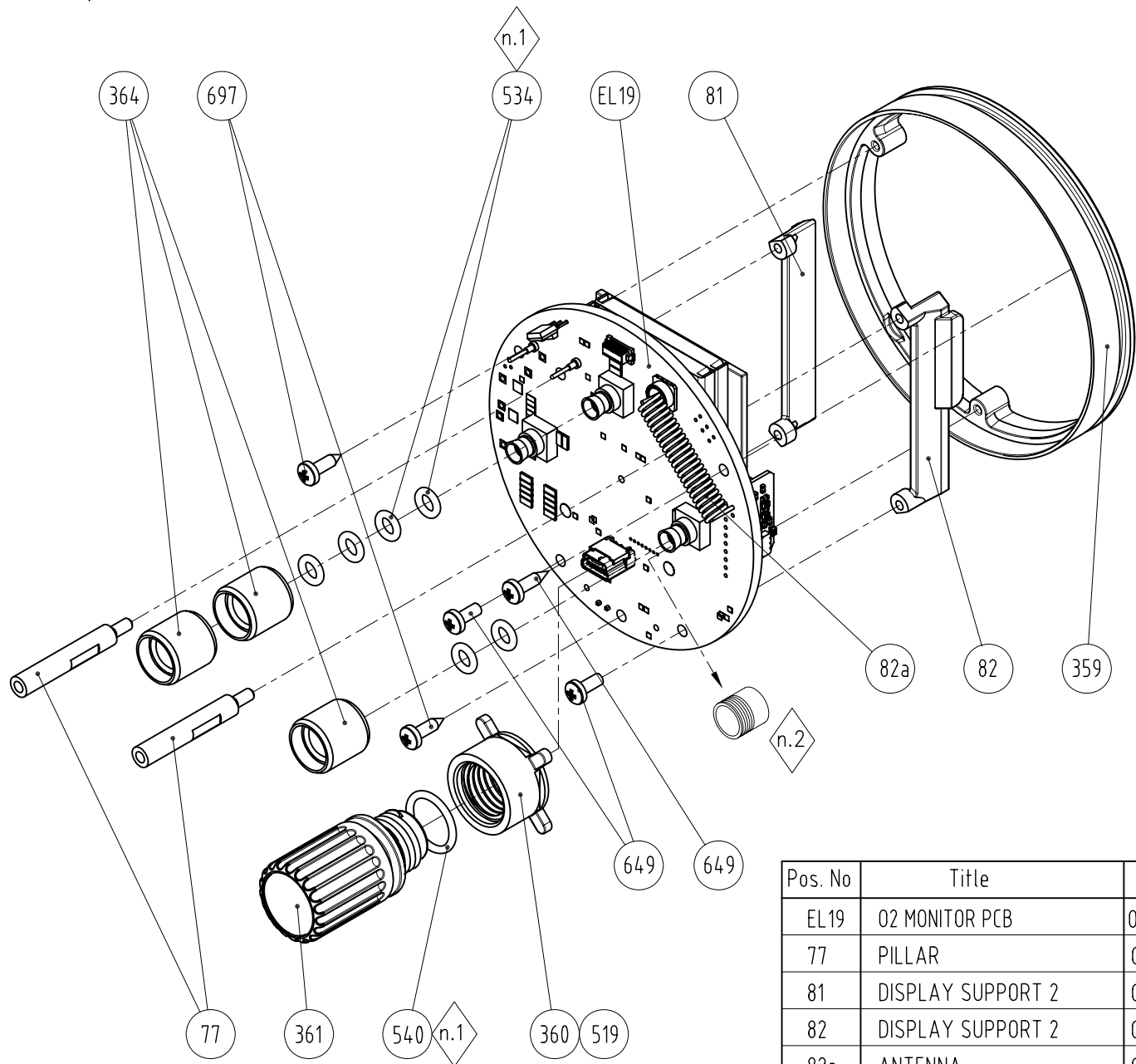
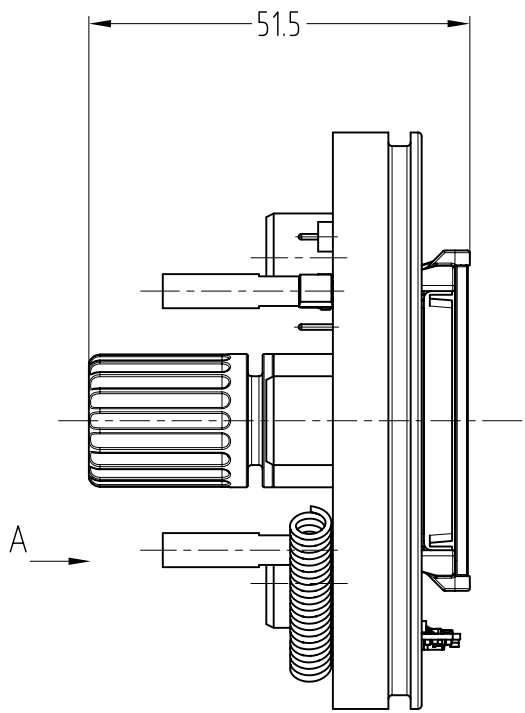
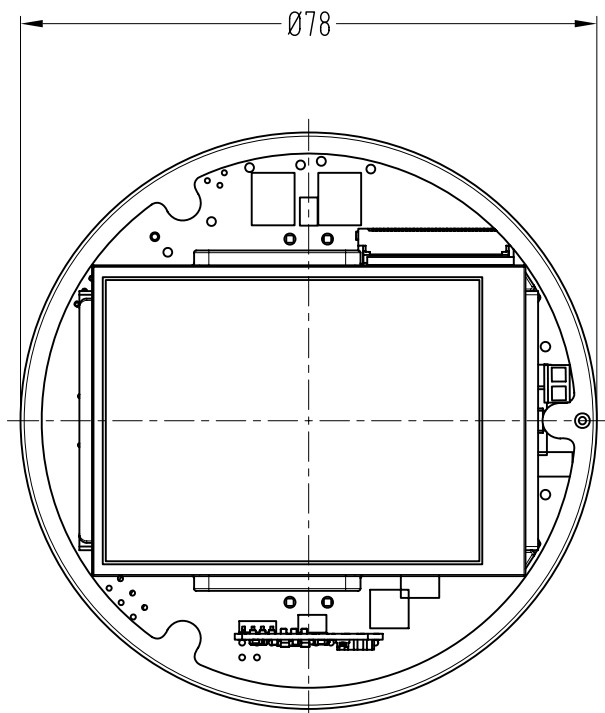


1 2 3 4 5 6 7 8

A



B

B

C

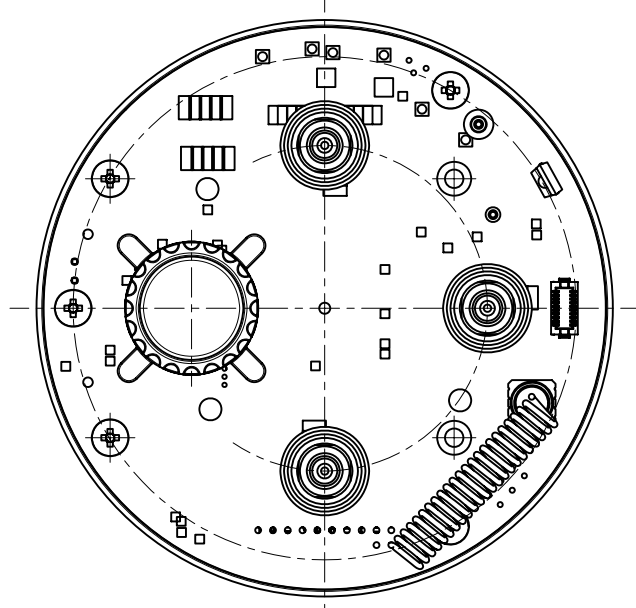
C

D

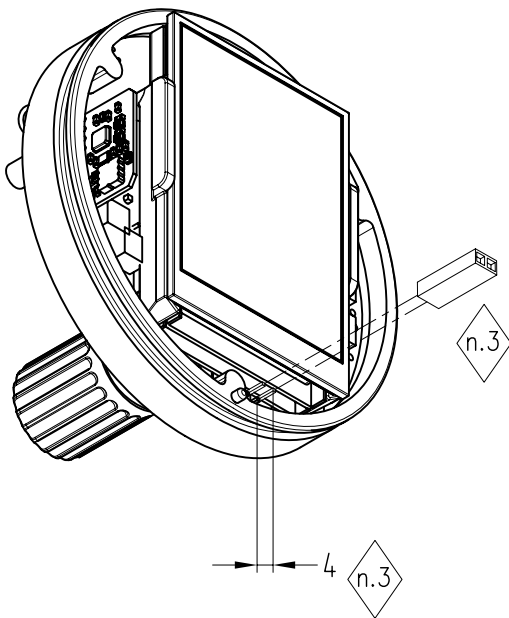
D

E

E



VIEW A



NOTES

- n1. Lubricate O-Rings with Tribolube 71 grease (pos.513) before assembling.
- n2. Remove outer sleeves from all SMB connectors before installing O-Rings (pos.534).
- n3. Remove housing 1R-2W-254 and shorten header pins by 4mm before assembling.

Pos. No	Title	Part No	Qty
EL19	O2 MONITOR PCB	OR02MON_C3	1
77	PILLAR	ORM8036	2
81	DISPLAY SUPPORT 2	ORM8056	1
82	DISPLAY SUPPORT 2	ORM8056-01	1
82a	ANTENNA	ORM8048	1
359	MONITOR PCB HOLDER	ORM8040	1
360	USB CONNECTOR HOUSING	ORM8043	1
361	USB CONNECTOR CAP	ORM8044	1
364	O2 SENSOR BUSH	ORM8047	3
513	Tribolube 71 grease		0,1ml
519	Loctite Prism 406 glue		0,2ml
534	O-Ring BS007		6
540	O-Ring BS013		1
649	Pan Head Screw M2,5x6		2
697	Pan Head Self-Tapping Screw No2x6,3		3

F

F

Units of measurement	mm UNLESS OTHERWISE STATED	Mass	0,205 kg	Format	ISO A3	Designed by	S.Belousov	Changed by	-	Approved by - date	A.Bogatchev	Filename	ORM8110B.dwg	Date	05.08.2009	Scale	1:1
Material				Projection		DEEP LIFE LTD Strictly Commercial-in-Confidence, copyright (c) 2009. Copying prohibited except as provided for under written contract with Deep Life Ltd.				Title/Name ASSY OF PP02 MONITOR ELECTRONICS UNIT		Drawing number	ORM8110	Edition	B	Sheet(s)	1(1)

1 2 7 8