

1 2 3 4 5 6 7 8

A

B

C

D

E

F

A

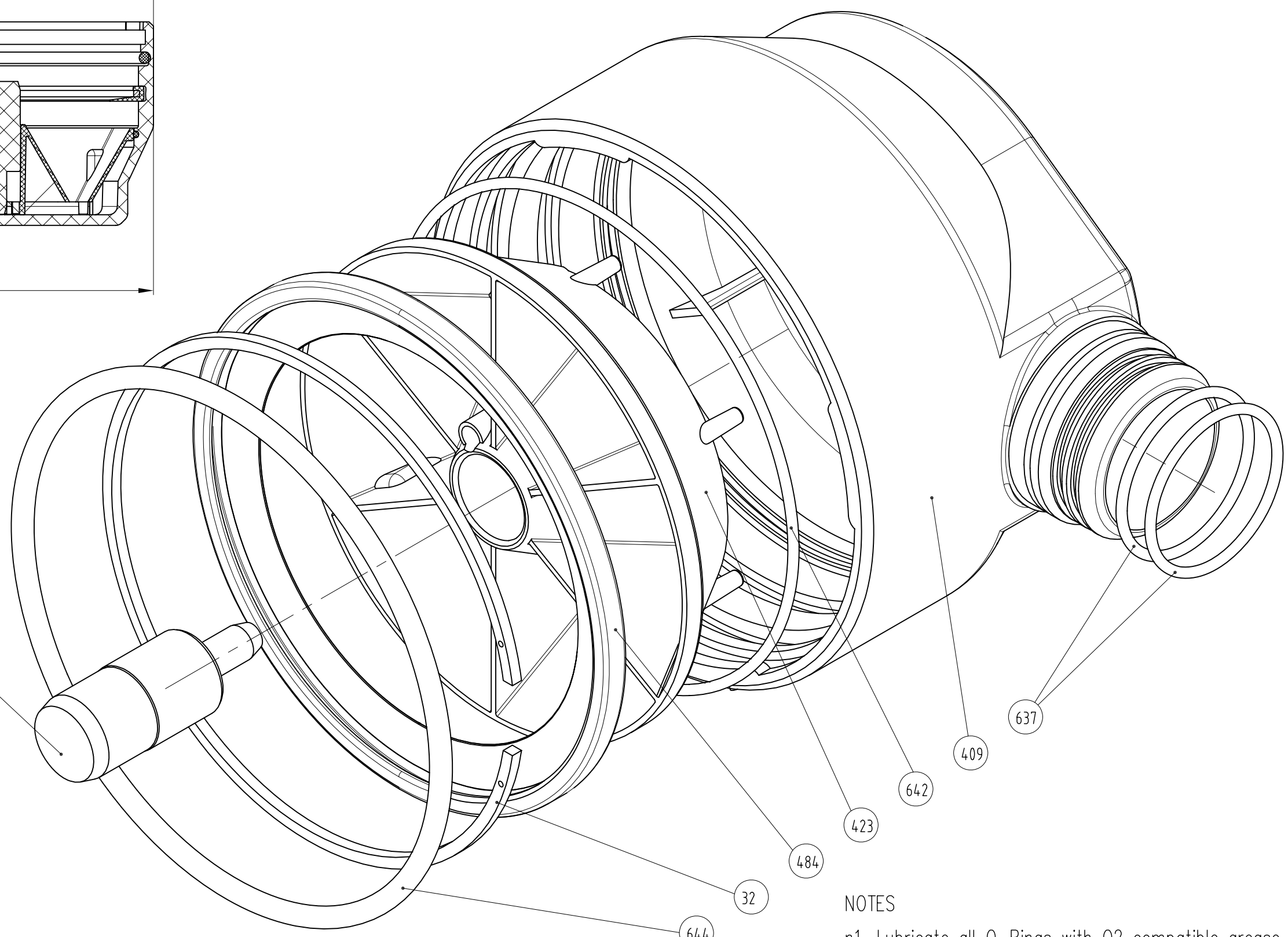
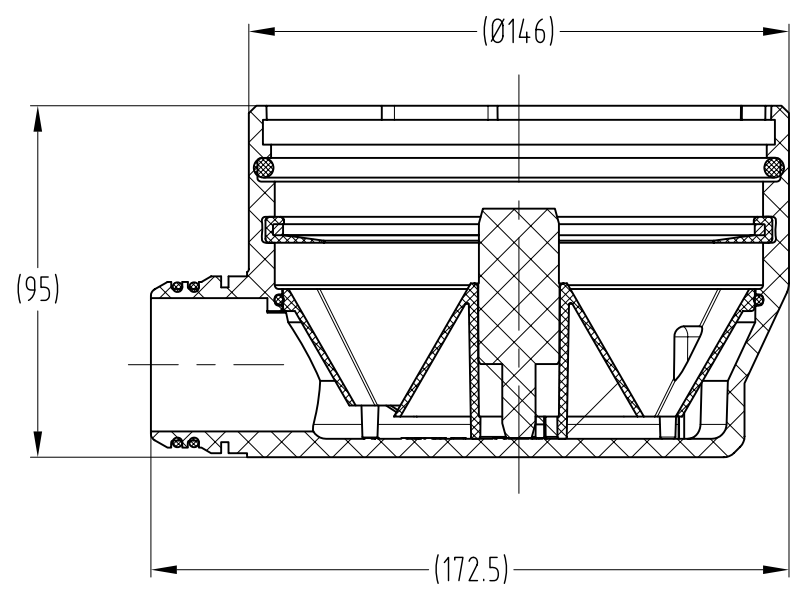
B

C

D

E

F



Pos. No	Title	Part No	Quantity
32	RING 2	DRB3-12-1085	1
69	SCRUBBER PIN	ORM2001	1
409	SRB BOTTOM CUP	ORS2103	1
423	FLOW CONE	ORT2102	1
484	EAC-D125-SEAL	ORT7502	1
637	O-RING BS129		2
642	O-RING BS160		1
644	O-RING BS335		1

NOTES

n1. Lubricate all O-Rings with O2 compatible grease before assembling.

Units of measurement	mm UNLESS OTHERWISE STATED	Mass	0.405 kg	Format	ISO A3	Designed by	Changed by	Approved by - date	A.BOGATCHEV	Filename	ORM2100A.dwg	Date	19.12.2008	Scale	1:1	
Material				Projection		DEEP LIFE LTD		Title/Name		ASSY OF mCCR BOTTOM CUP						
Quantity	SEE BOM					Strictly Commercial-in-Confidence, copyright (c) 2007. Copying prohibited except as provided for under written contract with Deep Life Ltd.		Drawing number		ORM2100		Edition		A	Sheet(s)	1(1)
Tolerances																
Surface roughness																
Surface treatment																

1 2 7 8