

A

B

C

D

E

F

A

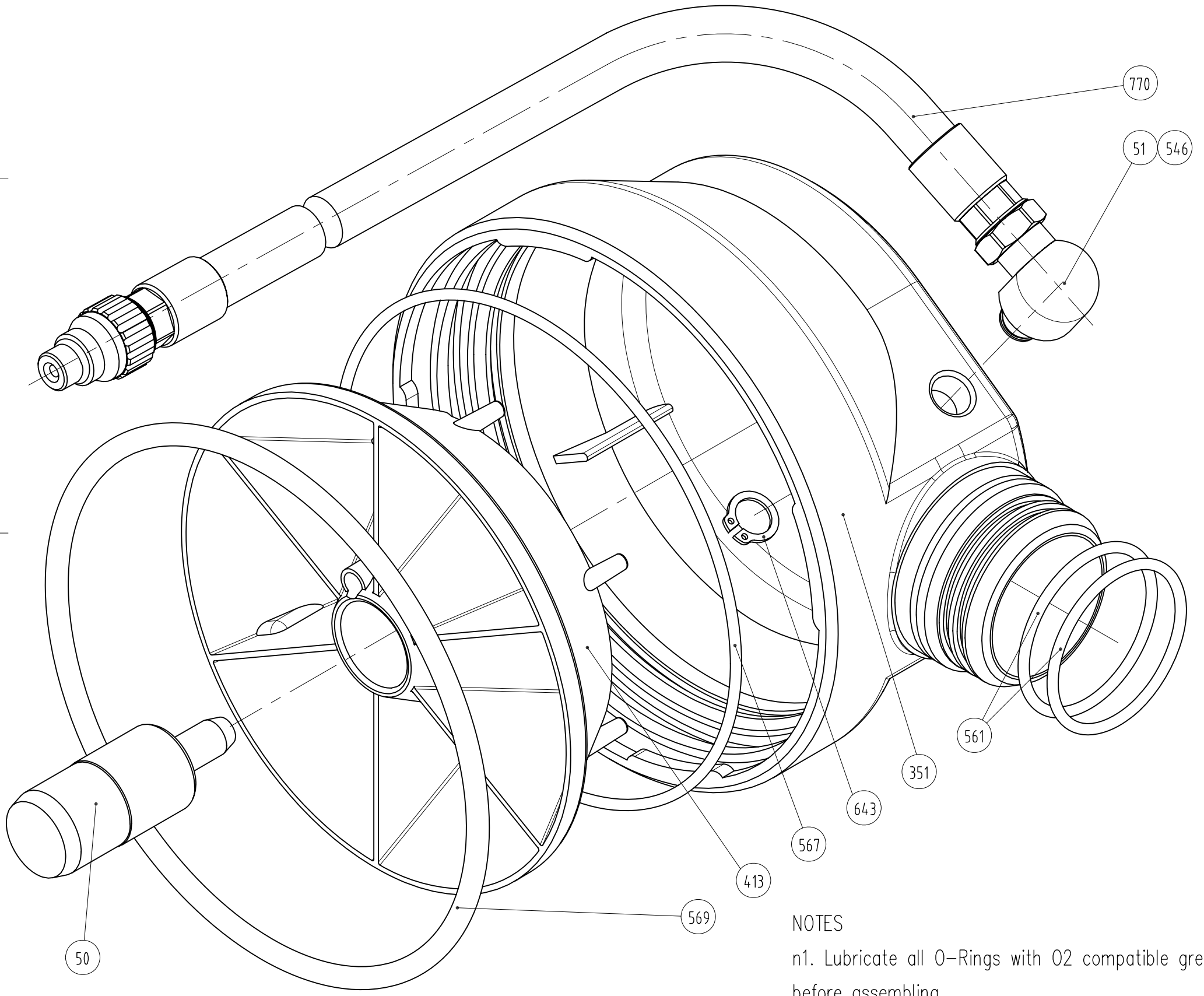
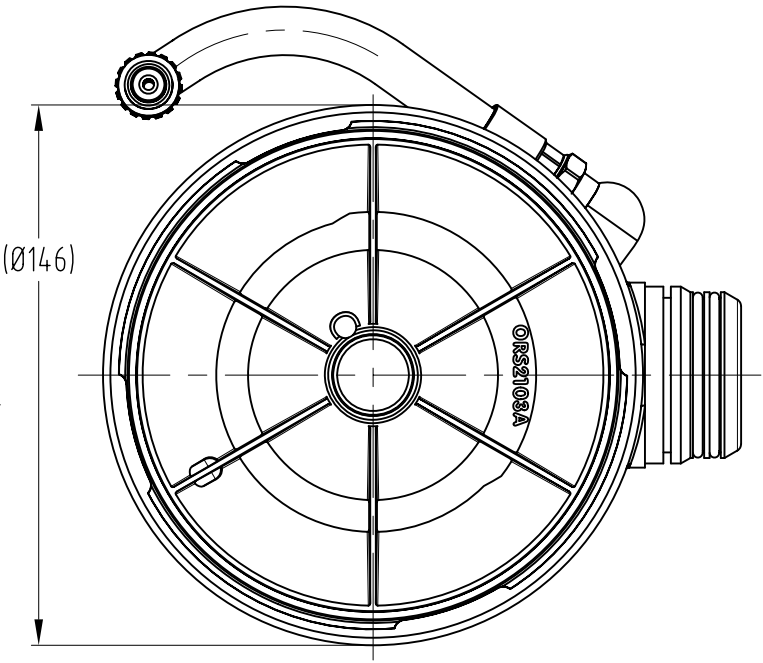
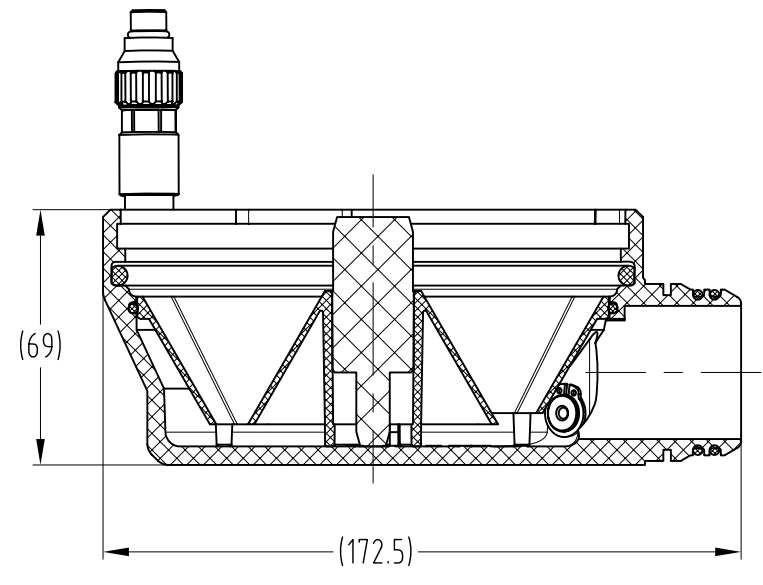
B

C

D

E

F



Pos. No	Title	Part No	Quantity
50	SCRUBBER PIN	ORM2001	1
51	ANGLE ADAPTER	ORM3501	1
351	mCCR TOP CUP	ORM2003	1
413	FLOW CONE	ORT2102	1
546	O-RING BS108		1
561	O-RING BS129		2
567	O-RING BS160		1
569	O-RING BS355		1
643	CIRCLIP SS S010		1
770	LP Hose 3/8 x 9/16(Flying Wing), 0,6m		1

NOTES

n1. Lubricate all O-Rings with O2 compatible grease before assembling.

Units of measurement	mm UNLESS OTHERWISE STATED	Mass	0.467 kg	Format	ISO A3	Designed by	A.KUDRIASHOV	Changed by	S. Belousov	Approved by - date	A.BOGATCHEV	Filename	ORM2000A.dwg	Date	19.05.2009	Scale	1:1
Material				Projection		DEEP LIFE LTD		Strictly Commercial-in-Confidence, copyright (c) 2007. Copying prohibited except as provided for under written contract with Deep Life Ltd.				Title/Name		ASSY OF mCCR TOP CUP			
Quantity	SEE BOM					Drawing number		ORM2000		Edition		A		Sheet(s)		1(1)	
Tolerances																	
Surface roughness																	
Surface treatment																	